

Title		
Size	Number	Revision
A4		
Date:	18.02.2009	Sheet of
File:	D:\MyProjects\...\JTAG_Sheet.SchDoc	Drawn By:

1

2

3

4

A

A

B

B

C

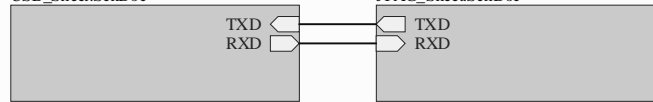
C

D

D

U\_USB\_Sheet  
USB\_Sheet.SchDoc

U\_JTAG\_Sheet  
JTAG\_Sheet.SchDoc



TXD  
RXD

TXD  
RXD

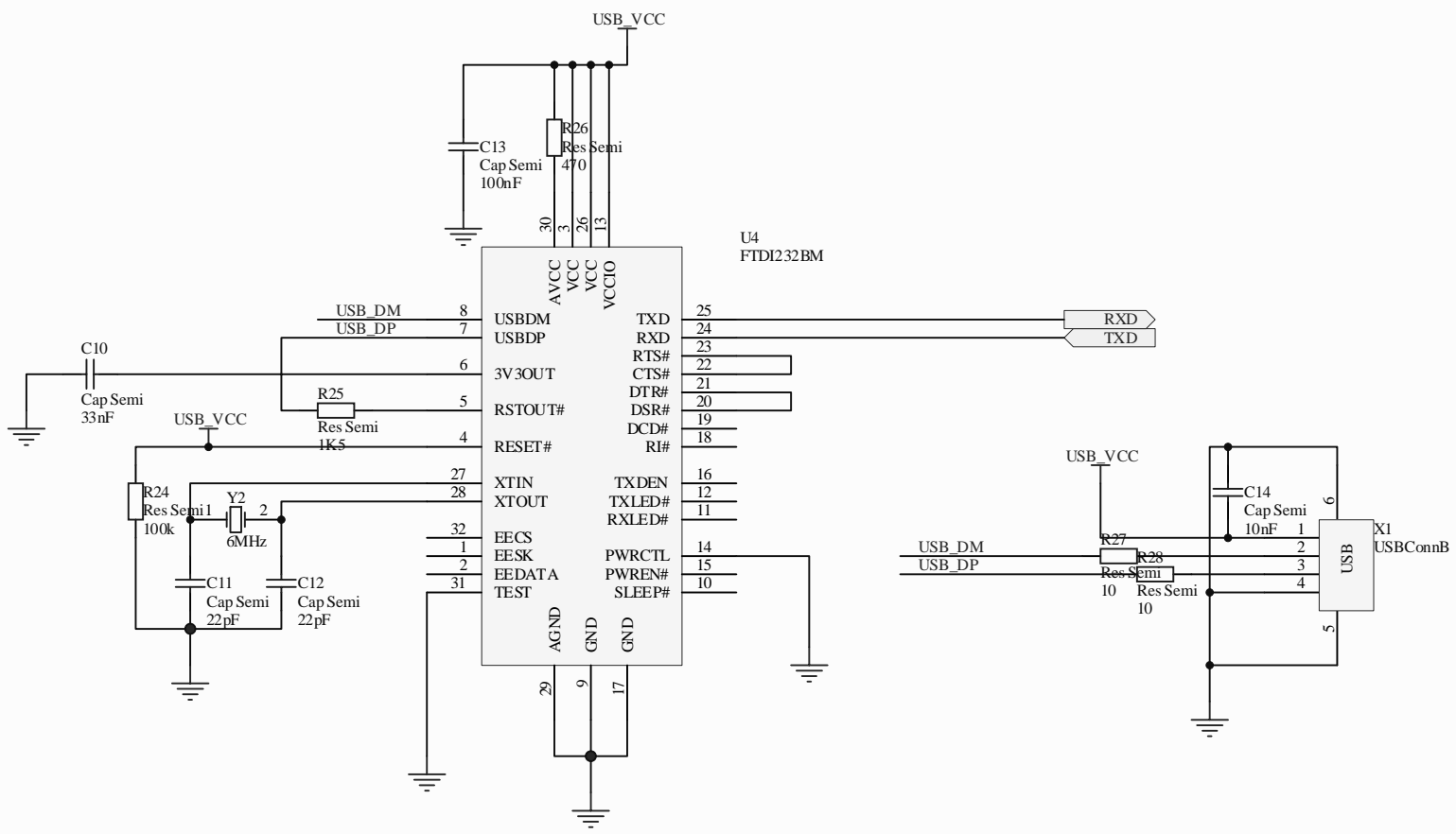
Title		
Size A4	Number	Revision
Date:	18.02.2009	Sheet of
File:	D:\MyProjects\...\Main.SchDoc	Drawn By:

1

2

3

4



Title		
Size	Number	Revision
A4		
Date:	18.02.2009	Sheet of
File:	D:\MyProjects\...\USB_Sheet.SchDoc	Drawn By: