

Title		
Size	Number	Revision
A4		
Date:	09.02.2009	Sheet of
File:	D:\MyProjects\...\CPU_Sheet.SchDoc	Drawn By:

1

2

3

4

A

A

B

B

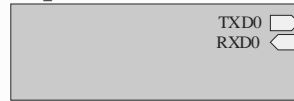
C

C

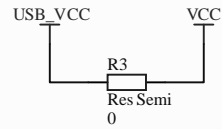
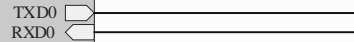
D

D

U_CPU_Sheet
CPU_Sheet.SchDoc



U_USB_Sheet
USB_Sheet.SchDoc



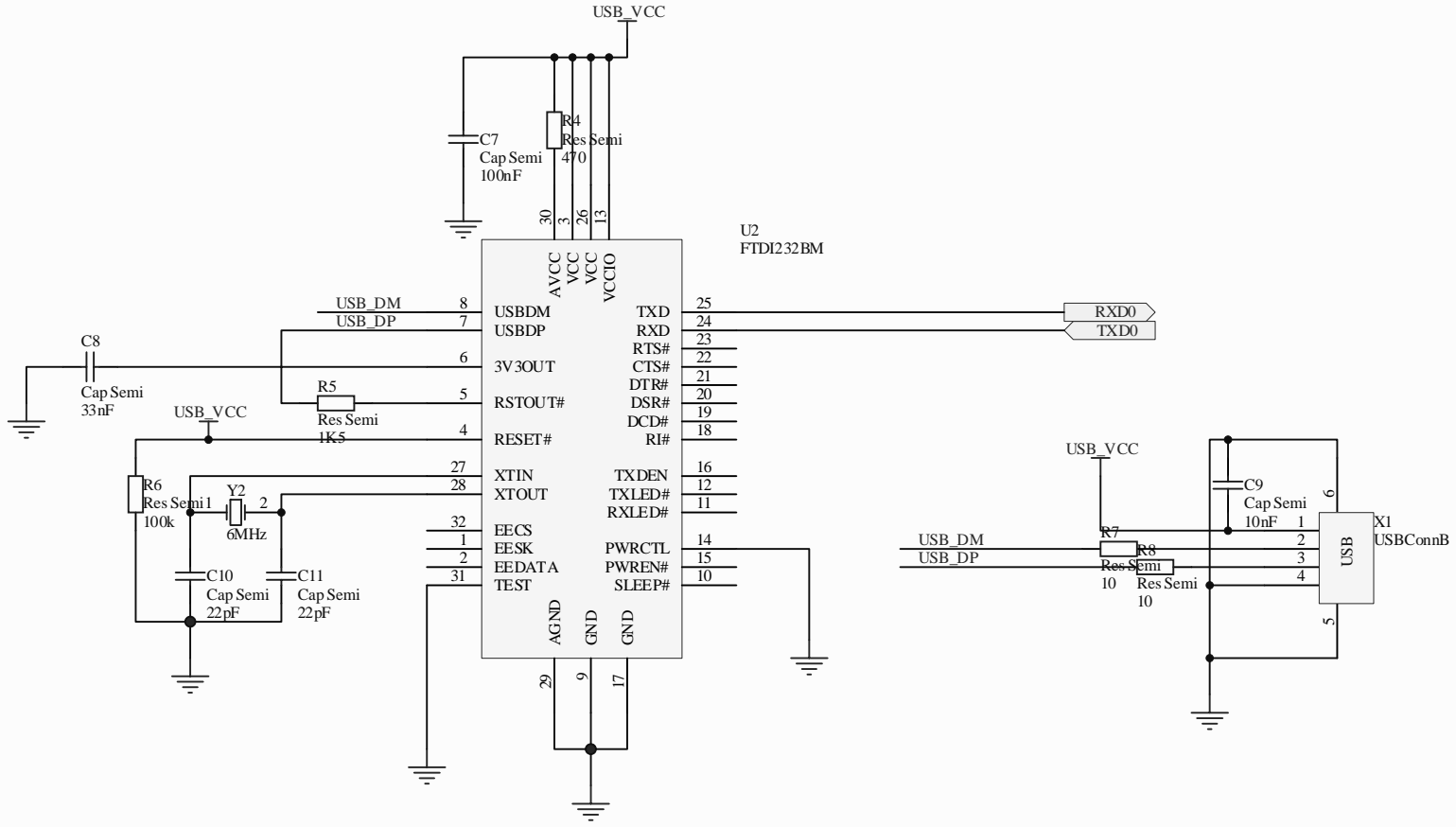
Title		
Size A4	Number	Revision
Date:	09.02.2009	Sheet of
File:	D:\MyProjects\..\Main_Sheet.SCHDOC	Drawn By:

1

2

3

4



Title		
Size	Number	Revision
A4		
Date:	09.02.2009	Sheet of
File:	D:\MyProjects\...\USB_Sheet.SchDoc	Drawn By: