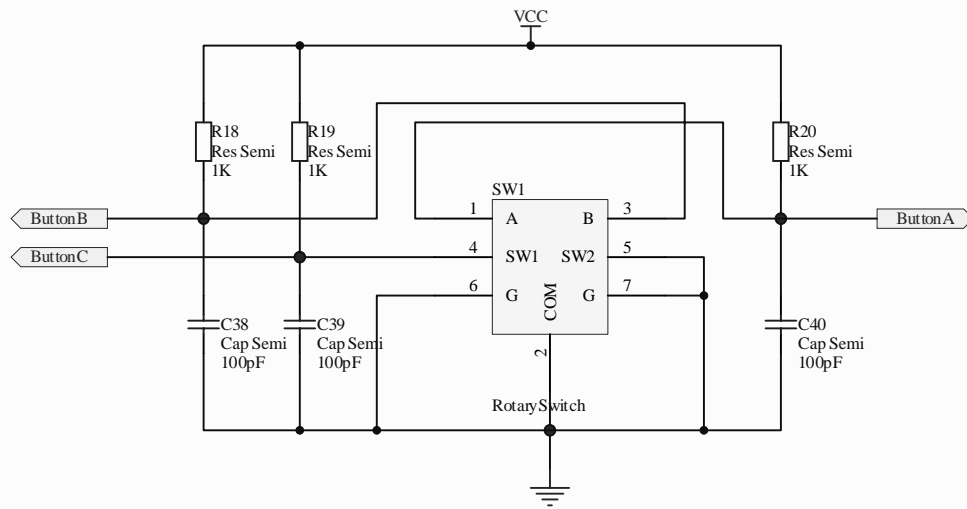
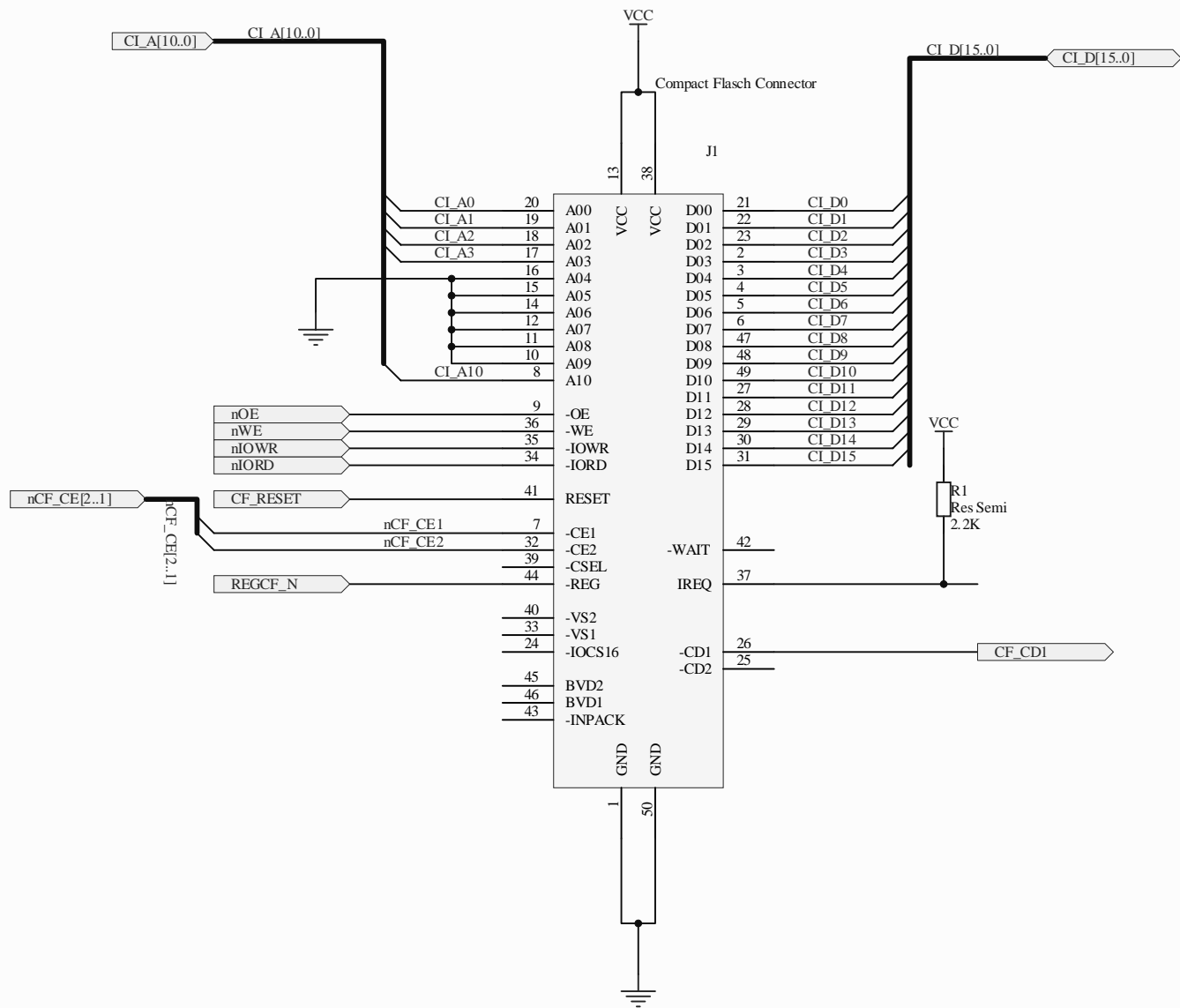


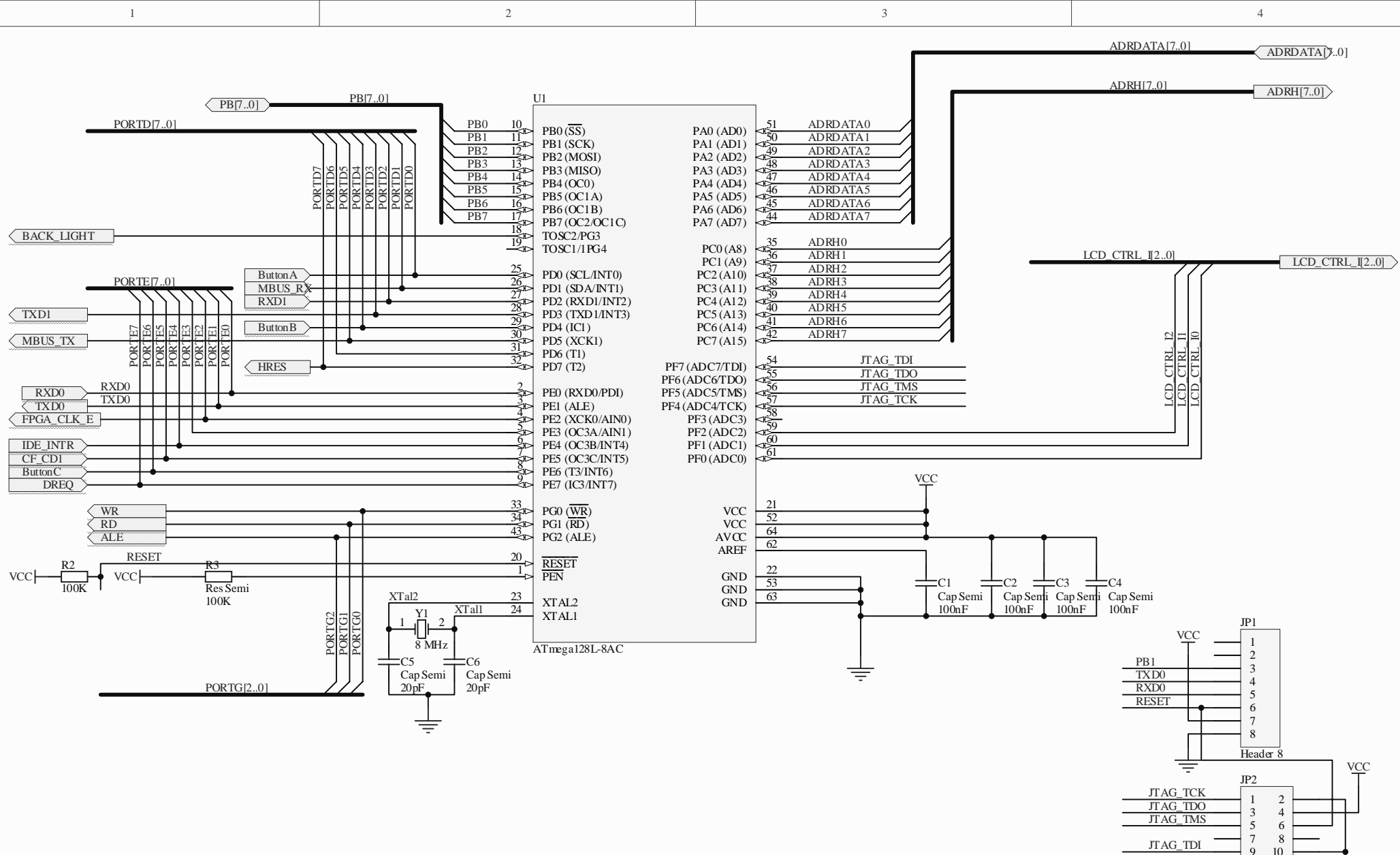
Title		
Size	Number	Revision
A4		
Date:	19.02.2009	Sheet of
File:	D:\MyProjects\...\MainSheet.SchDoc	Drawn By:



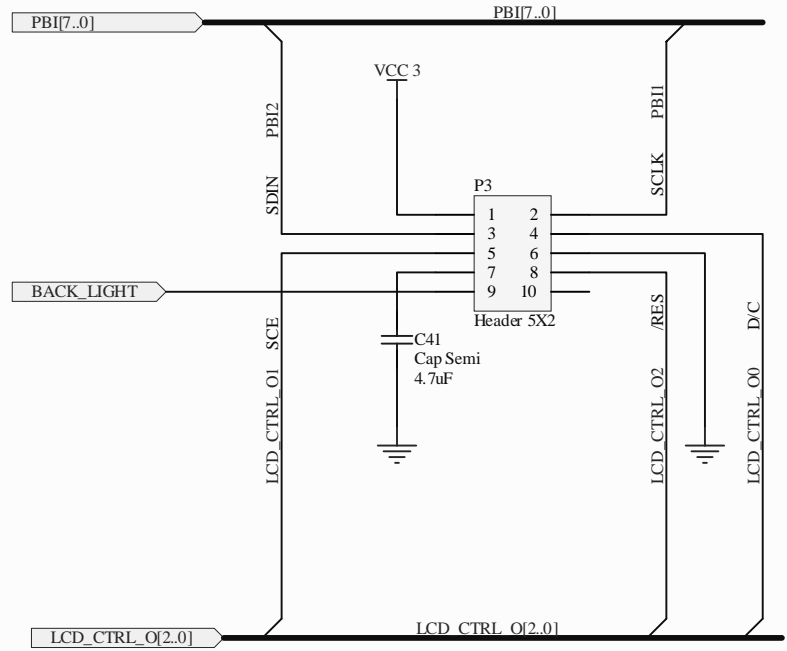
Title		
Size A4	Number	Revision
Date:	19.02.2009	Sheet of
File:	D:\MyProjects\...\MMP3P_Button.SchDoc	Drawn By:



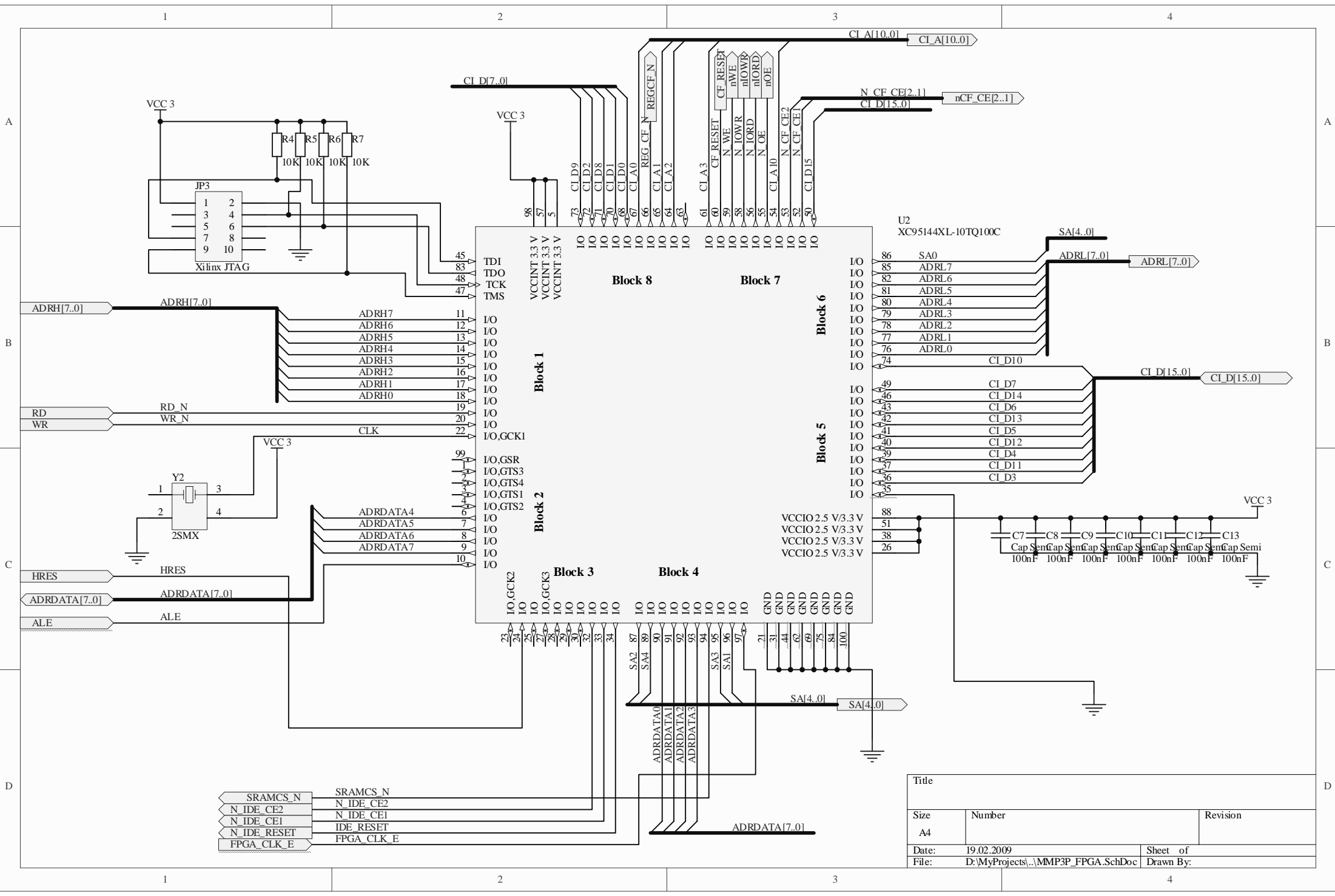
Title		
Size	Number	Revision
A4		
Date:	19.02.2009	Sheet of
File:	D:\MyProjects\...\MMP3P_CF.SchDoc	Drawn By:



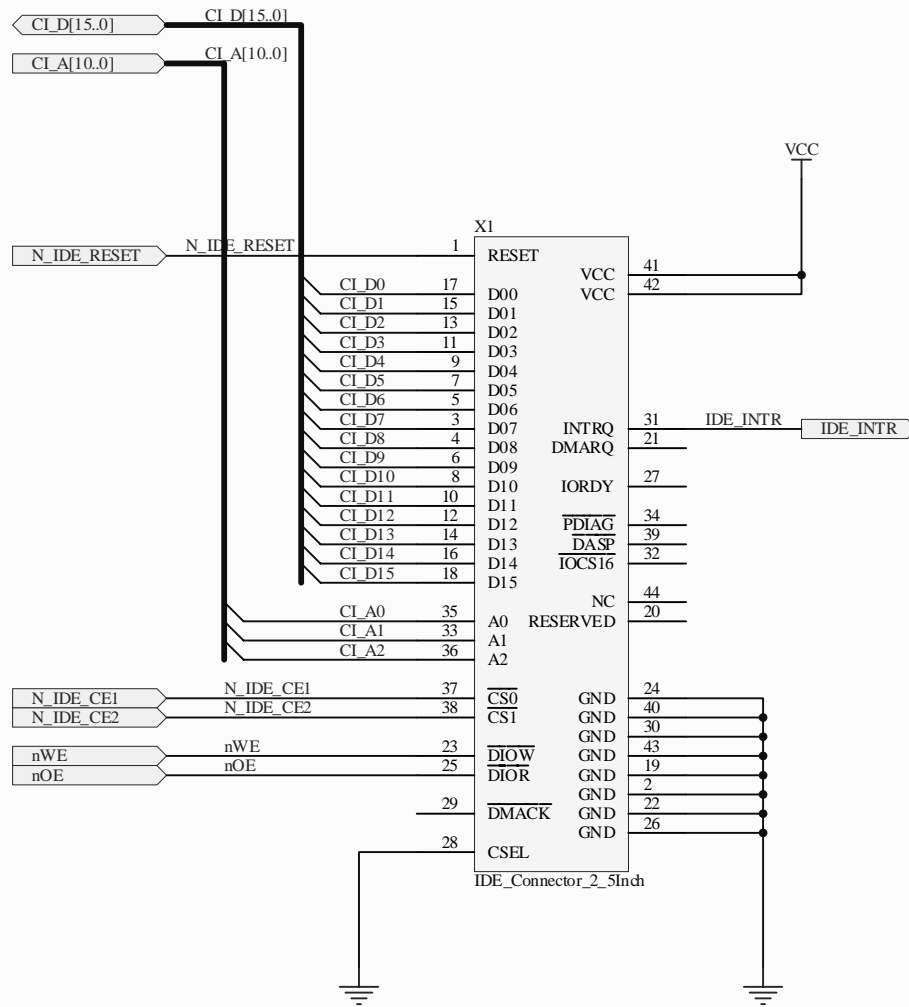
Title		
Size	Number	Revision
A4		
Date:	19.02.2009	Sheet of
File:	D:\MyProjects\...\MMP3P_CPU.SchDoc	Drawn By:



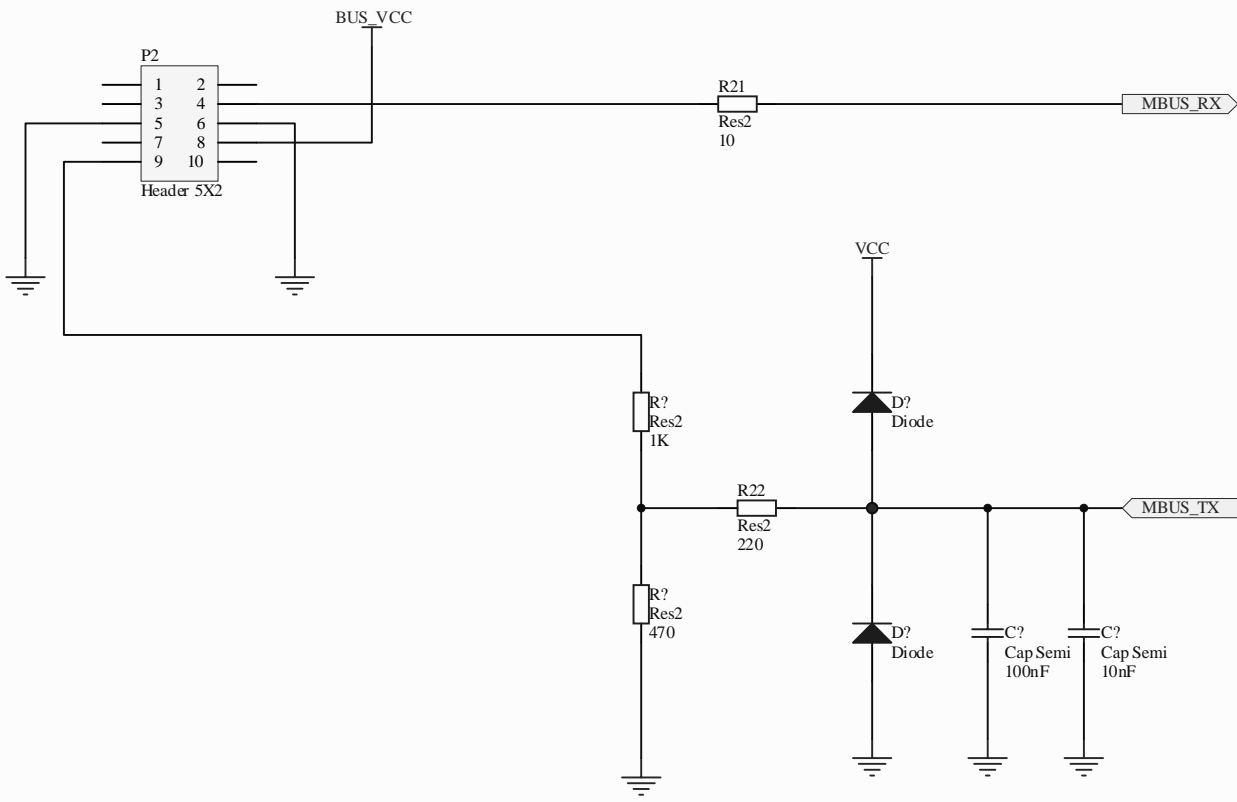
Title		
Size A4	Number	Revision
Date: 19.02.2009	Sheet of	
File: D:\MyProjects\...\MMP3P_Display.SchDoc	Drawn By:	



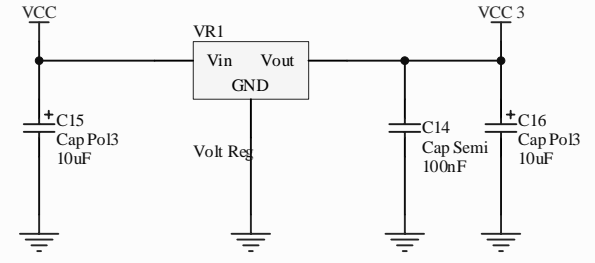
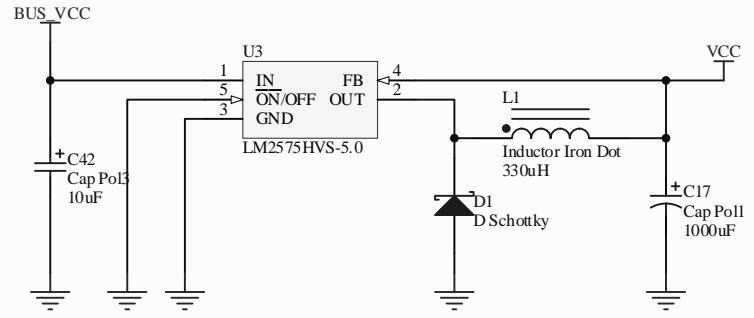
Title		
Size	Number	Revision
A4		
Date:	19.02.2009	Sheet of
File:	D:\MyProjects\...\MMP3P_FPGA.SchDoc	Drawn By:



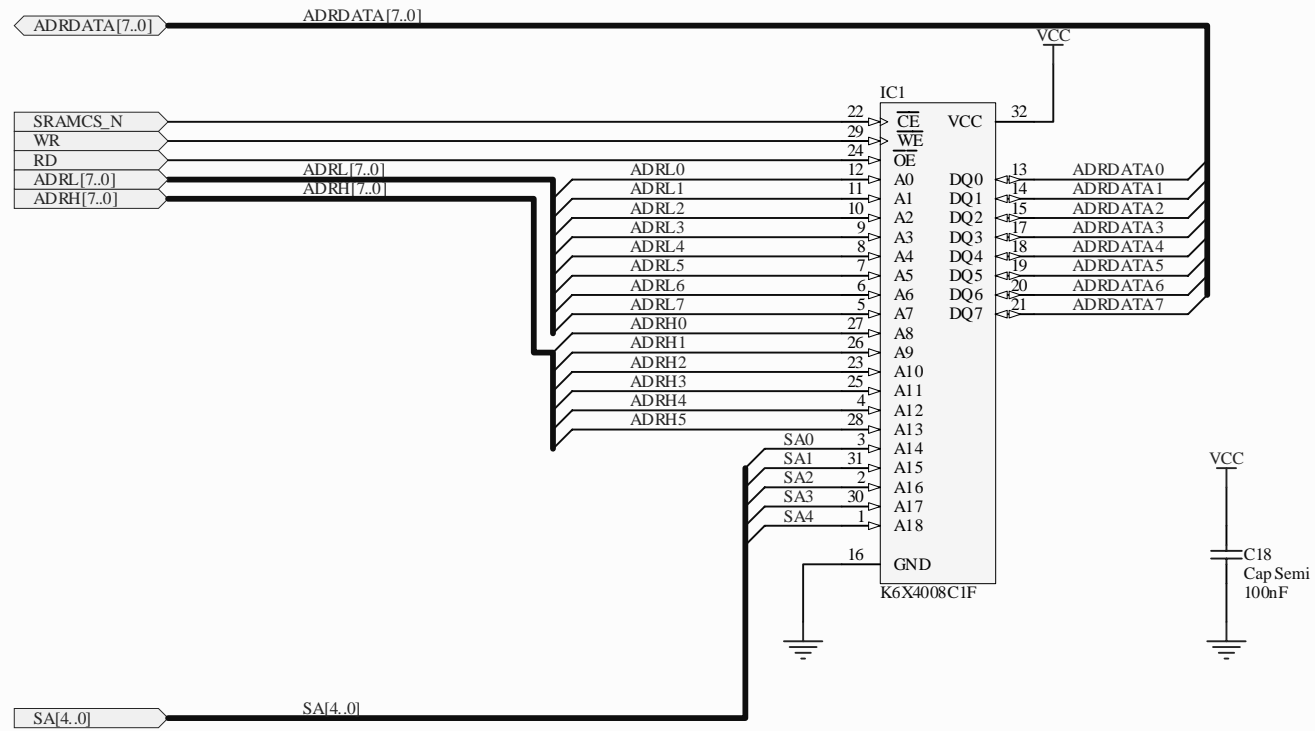
Title		
Size	Number	Revision
A4		
Date:	19.02.2009	Sheet of
File:	D:\MyProjects\...\MMP3P_IDE.SchDoc	Drawn By:



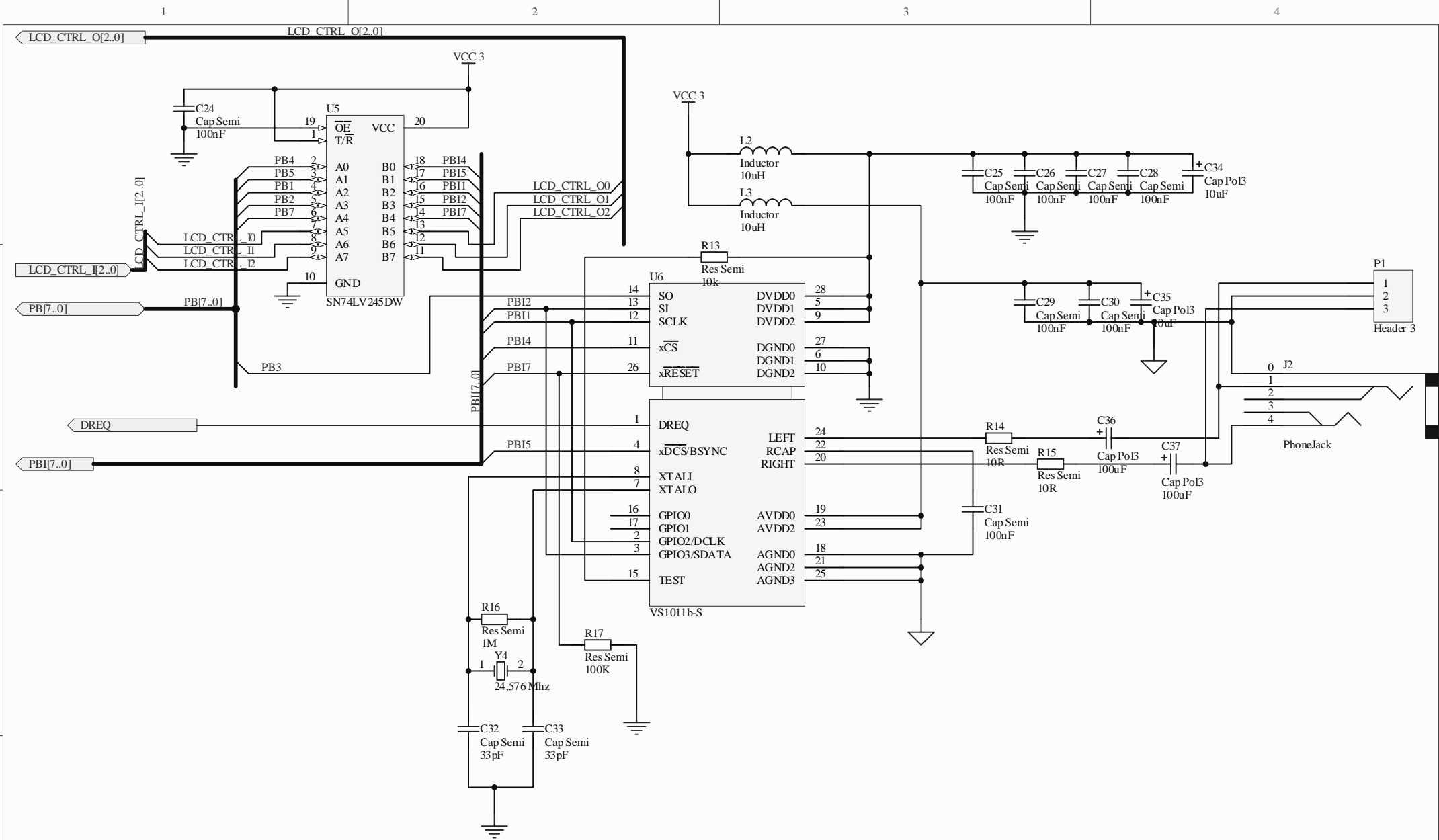
Title		
Size	Number	Revision
A4		
Date:	19.02.2009	Sheet of
File:	D:\MyProjects\...\MMP3P_MBUS.SchDoc	Drawn By:



Title		
Size A4	Number	Revision
Date: 19.02.2009	Sheet of	
File: D:\MyProjects\...\MMP3P_Power.SchDoc	Drawn By:	



Title		
Size	Number	Revision
A4		
Date:	19.02.2009	Sheet of
File:	D:\MyProjects\...\MMP3P_RAM.SchDoc	Drawn By:



Title		
Size	Number	Revision
A4		
Date:	19.02.2009	Sheet of
File:	D:\MyProjects\...\MMP3P_VLSI.SchDoc	Drawn By: