

Title		
Size	Number	Revision
A4		
Date:	28.05.2009	Sheet of
File:	D:\MyProjects\...\H-Bridge.SchDoc	Drawn By:

1

2

3

4

A

A

B

B

C

C

D

D

U\_Power  
Power.SchDoc



U\_H-Bridge  
H-Bridge.SchDoc



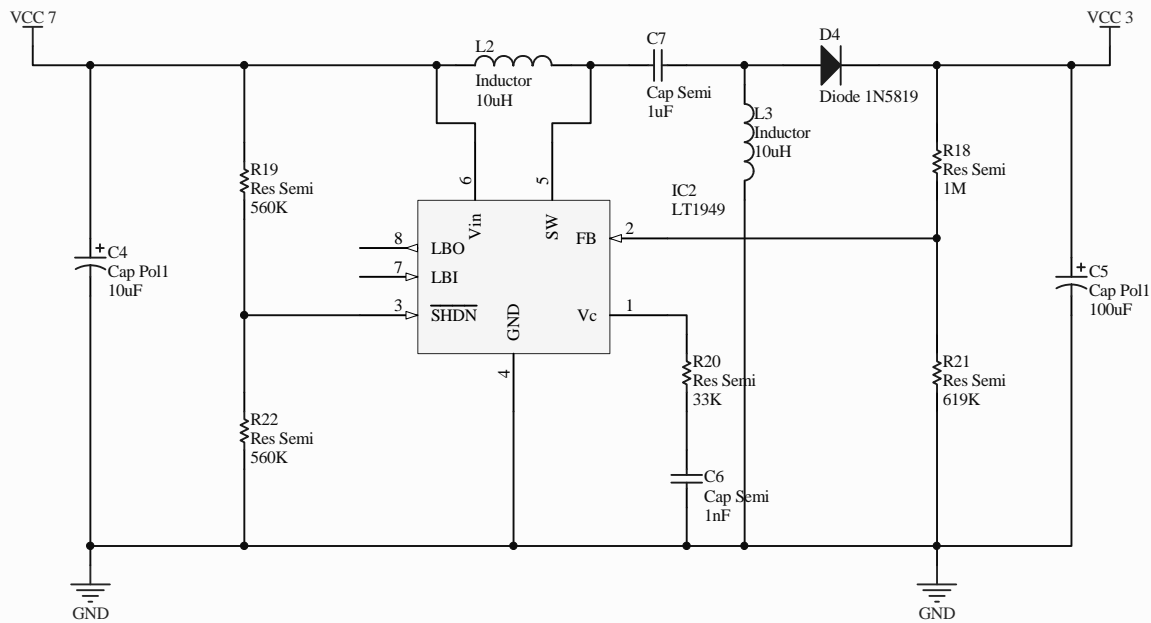
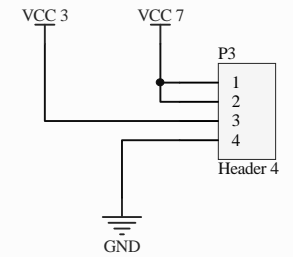
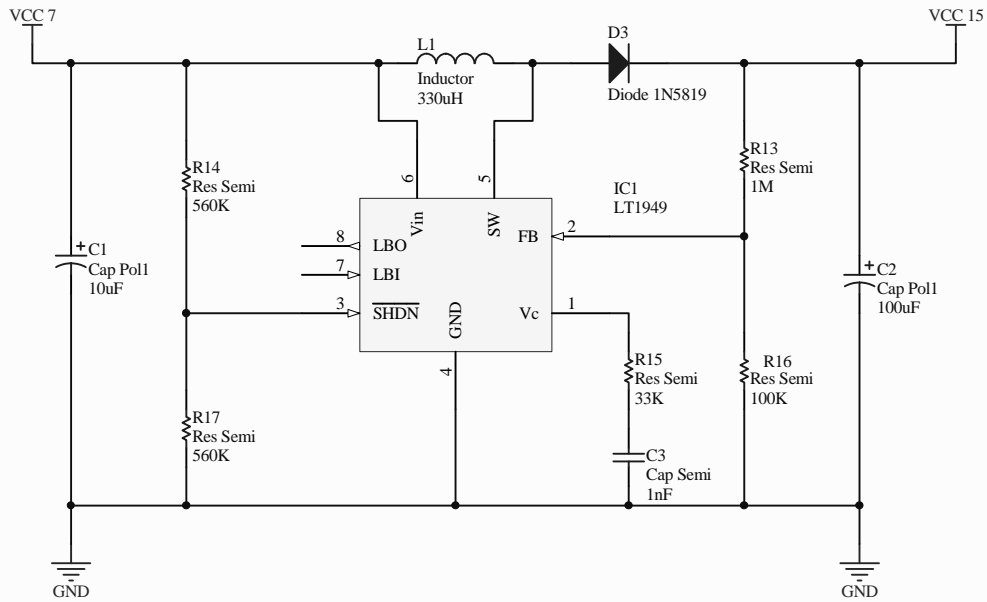
Title		
Size A4	Number	Revision
Date:	28.05.2009	Sheet of
File:	D:\MyProjects\...\MainSheet.SchDoc	Drawn By:

1

2

3

4



Title		
Size	Number	Revision
A4		
Date:	28.05.2009	Sheet of
File:	D:\MyProjects\...\Power.SchDoc	Drawn By: