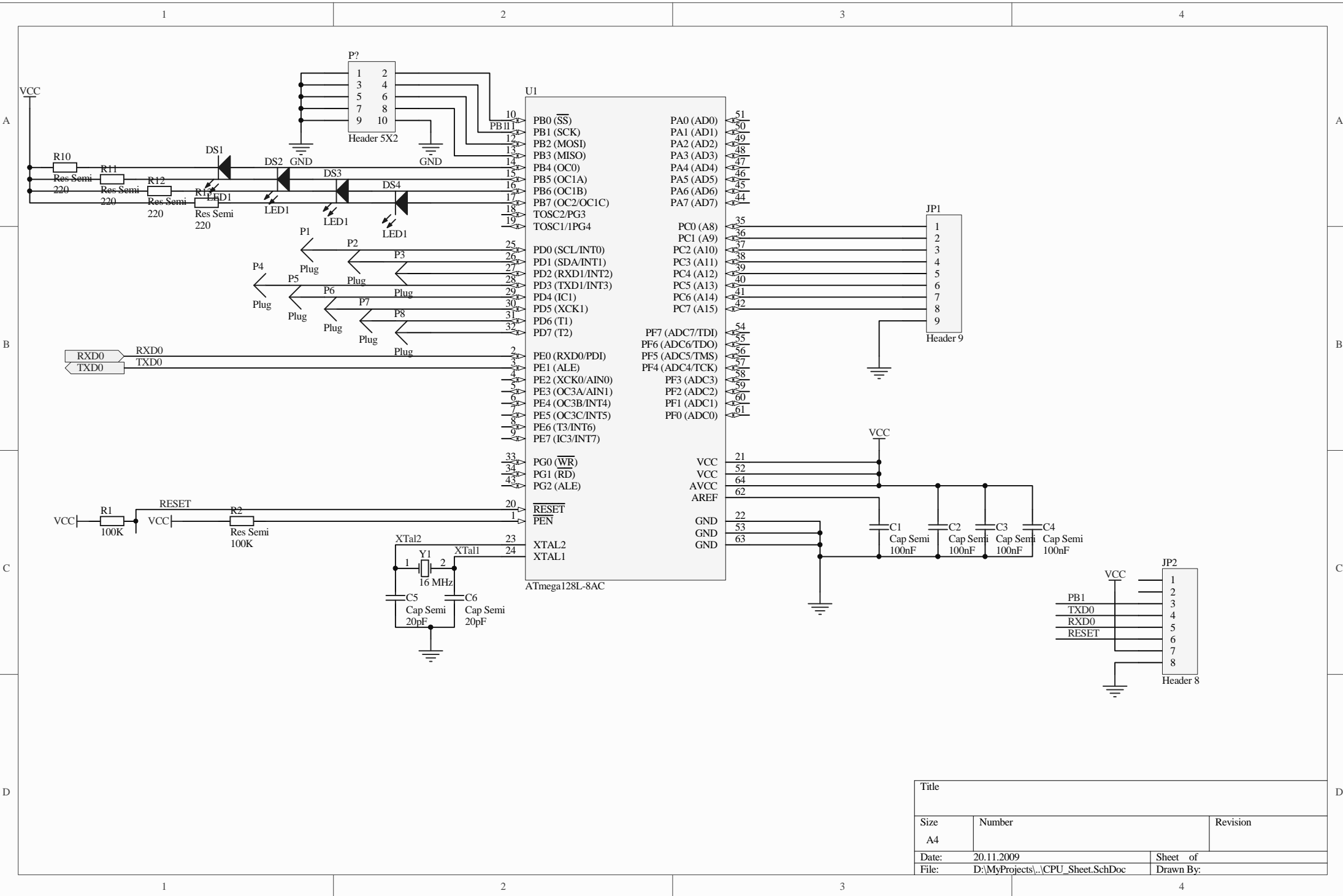
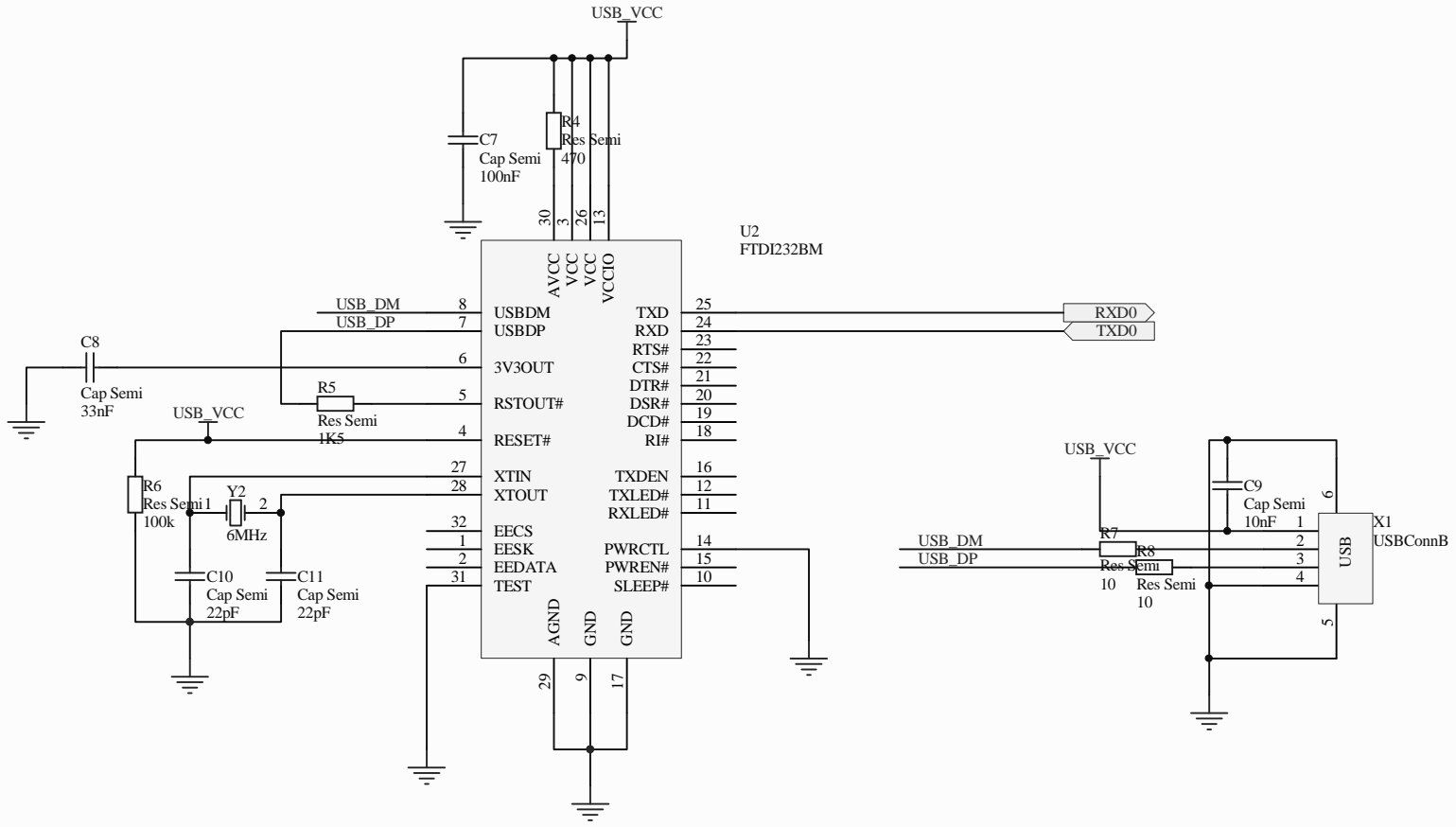


Title		
Size A4	Number	Revision
Date:	20.11.2009	Sheet of
File:	D:\MyProjects\...\Main_Sheet.SCHDOC	Drawn By:



Title		
Size	Number	Revision
A4		
Date:	20.11.2009	Sheet of
File:	D:\MyProjects\...\CPU_Sheet.SchDoc	Drawn By:



Title		
Size	Number	Revision
A4		
Date:	20.11.2009	Sheet of
File:	D:\MyProjects\...\USB_Sheet.SchDoc	Drawn By: