

1

2

3

4

A

A

B

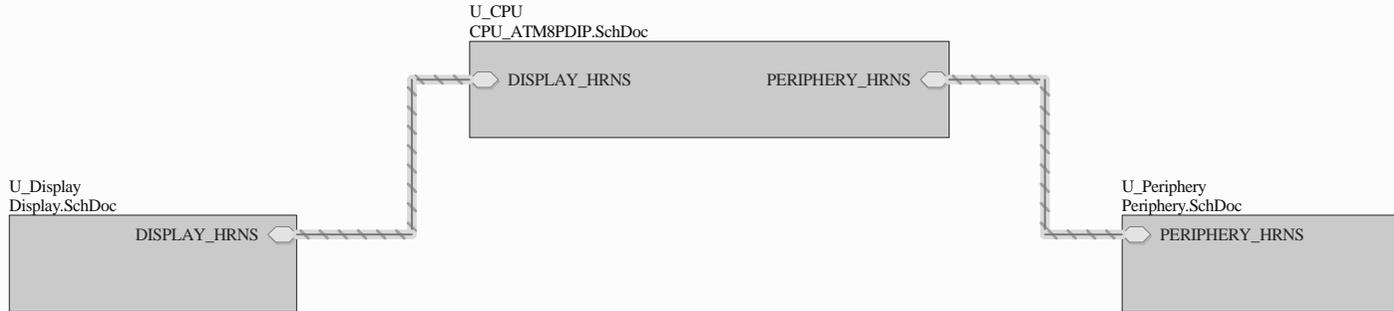
B

C

C

D

D



Title		
Size	Number	Revision
A4		
Date:	08.05.2010	Sheet of
File:	D:\MyProjects\...\MainSheet_ATM8PDIP.SchDoc	

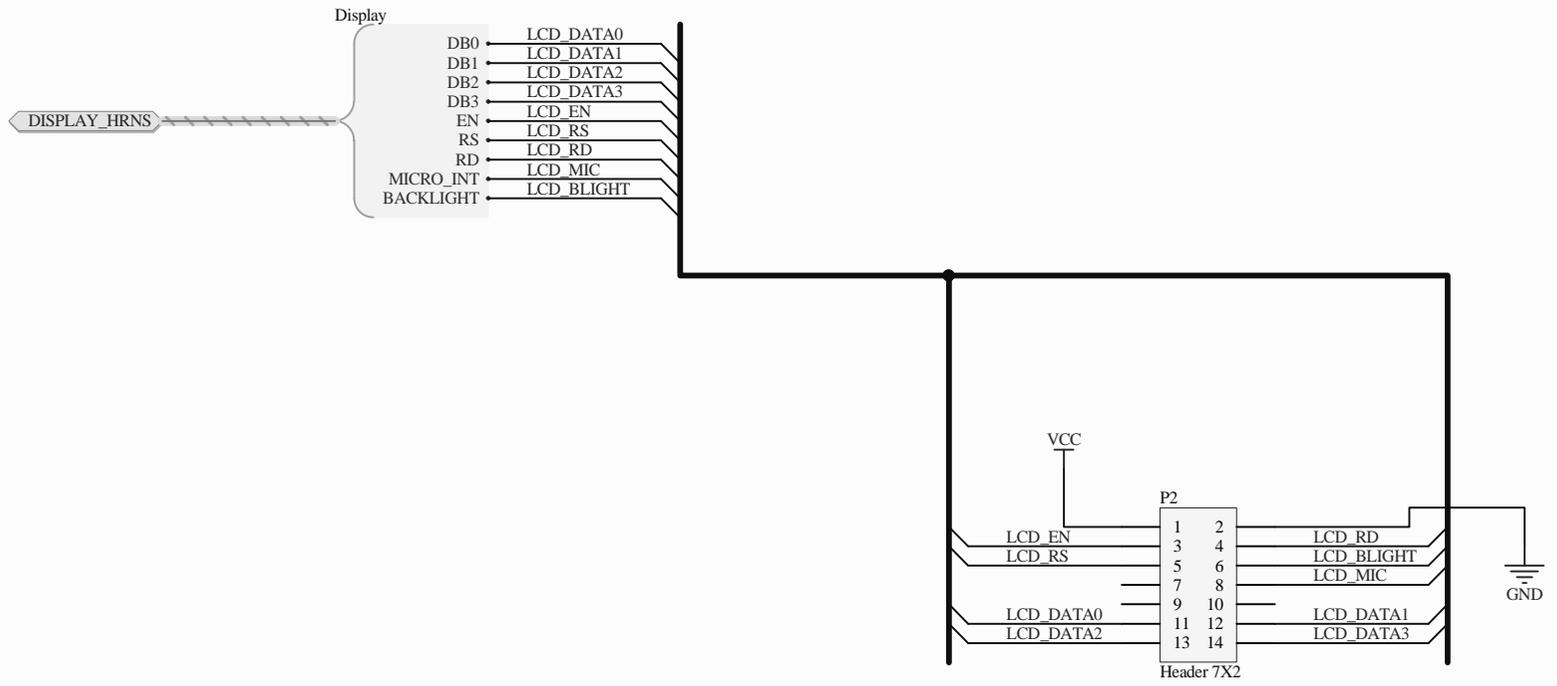
1

2

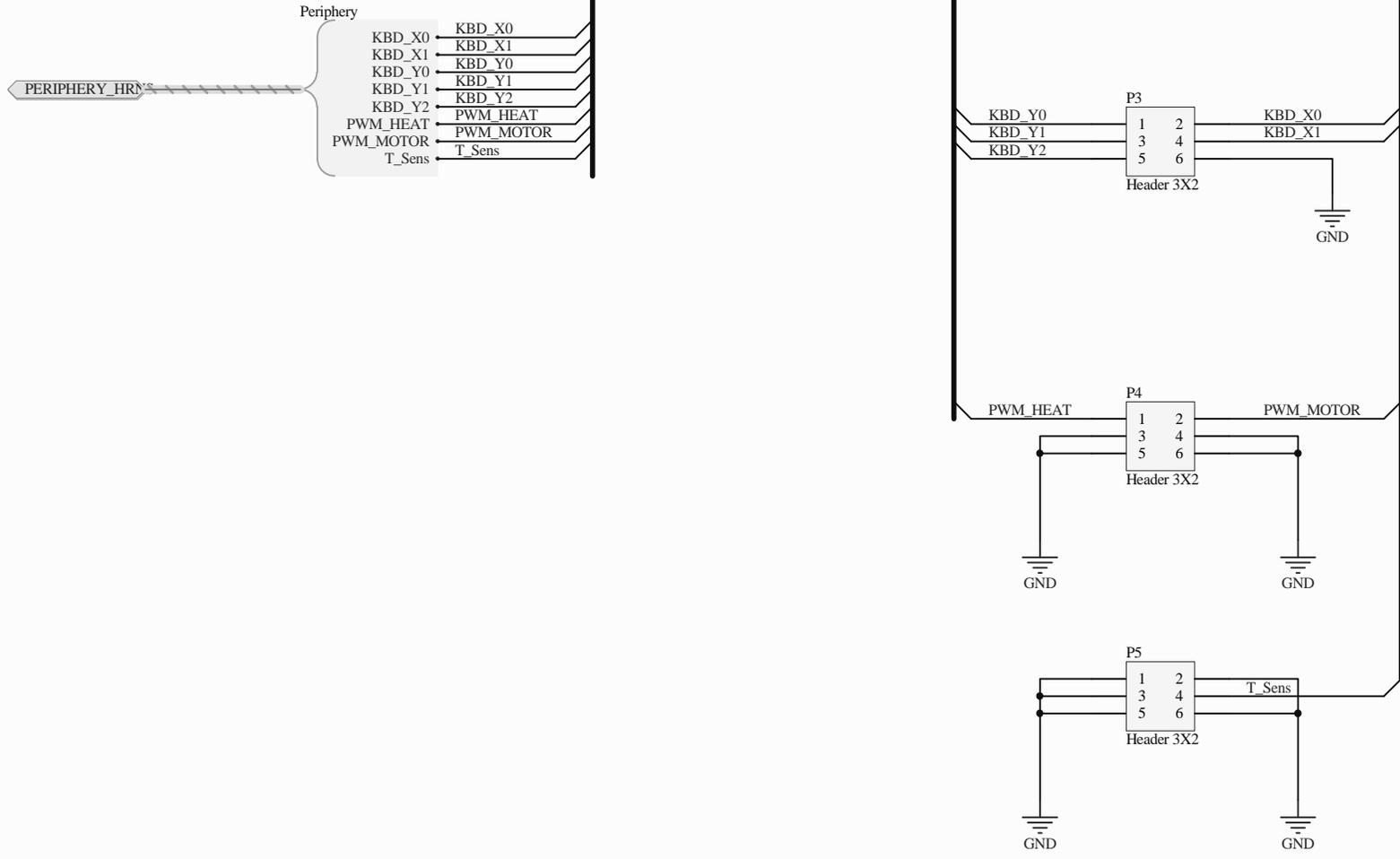
3

4





Title		
Size	Number	Revision
A4		
Date:	08.05.2010	Sheet of
File:	D:\MyProjects\...\Display.SchDoc	Drawn By:



Title		
Size	Number	Revision
A4		
Date:	08.05.2010	Sheet of
File:	D:\MyProjects\...\Periphery.SchDoc	Drawn By: