

1

2

3

4

A

A

B

B

C

C

D

D

U_Power
Power.SchDoc



U_CPU
CPU.SchDoc



U_IR
IR.SchDoc



LOW_BAT

LOW_BAT

IR_LED_ON

IR_LED_ON

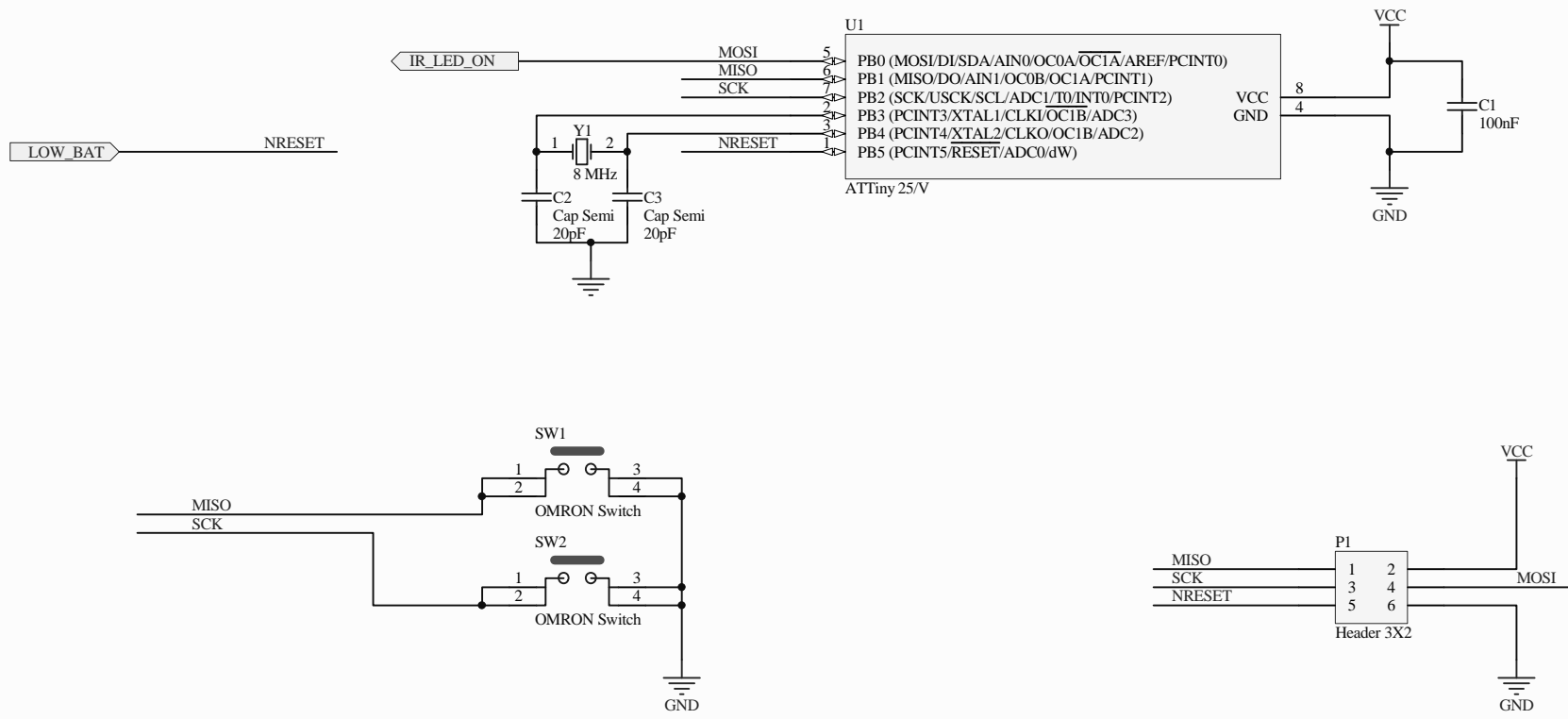
Title		
Size A4	Number	Revision
Date:	12.06.2010	Sheet of
File:	D:\MyProjects\...\MainSheet.SchDoc	Drawn By:

1

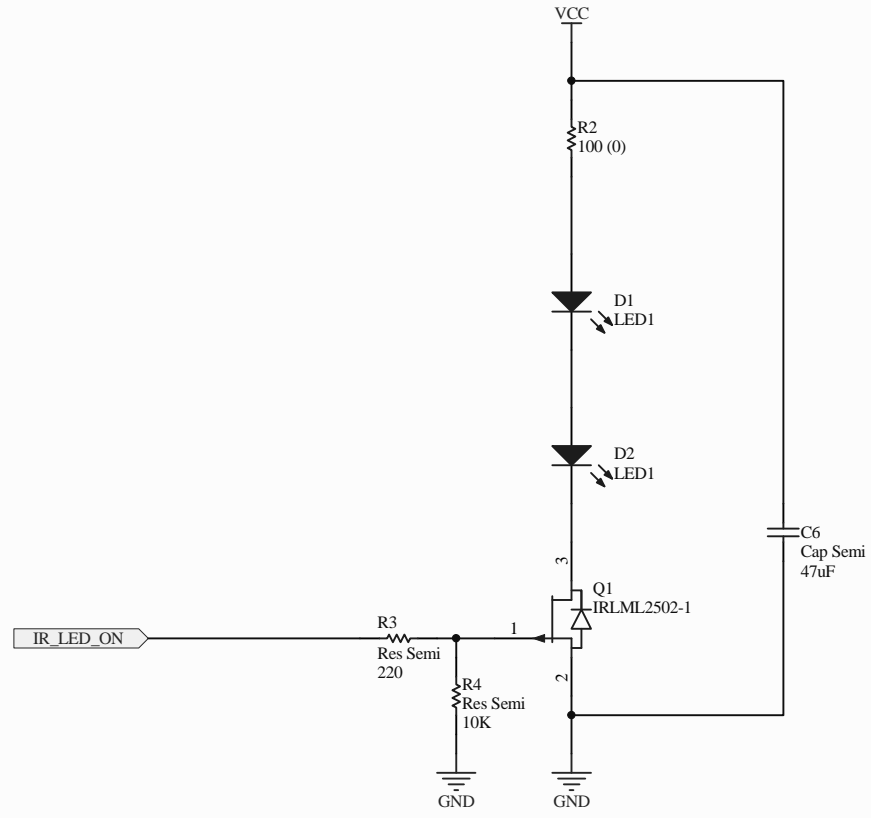
2

3

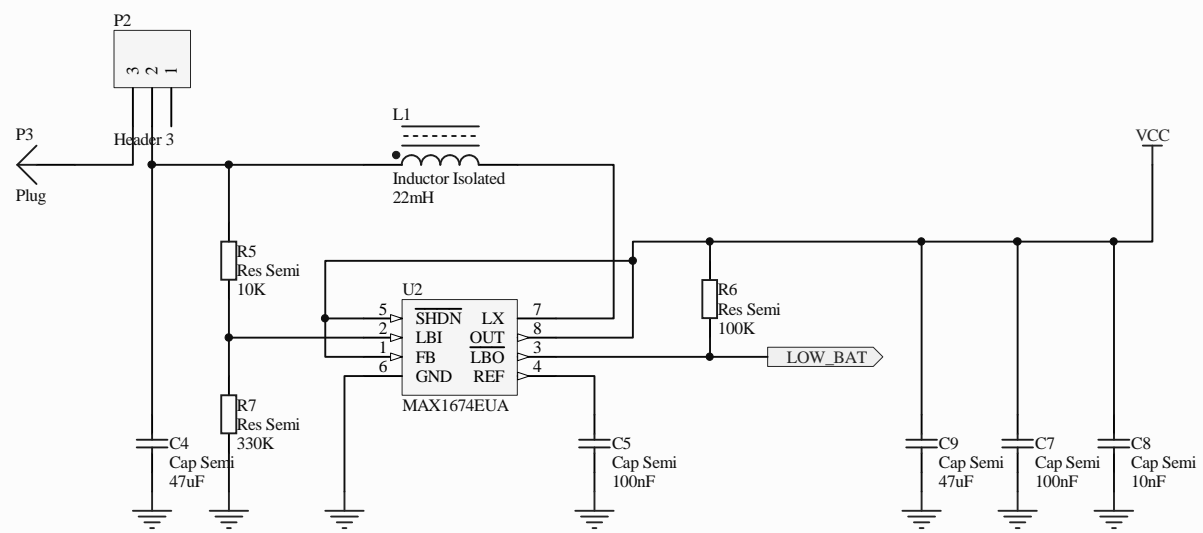
4



Title		
Size	Number	Revision
A4		
Date:	12.06.2010	Sheet of
File:	D:\MyProjects\...\CPU.SchDoc	Drawn By:



Title		
Size A4	Number	Revision
Date:	12.06.2010	Sheet of
File:	D:\MyProjects\...\IR.SchDoc	Drawn By:



Title		
Size	Number	Revision
A4		
Date:	12.06.2010	Sheet of
File:	D:\MyProjects\...\Power.SchDoc	Drawn By: