

1

2

3

4

A

A

B

B

C

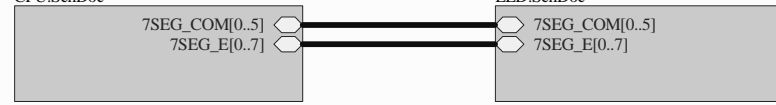
C

D

D

U_CPU
CPU.SchDoc

U_LED
LED.SchDoc



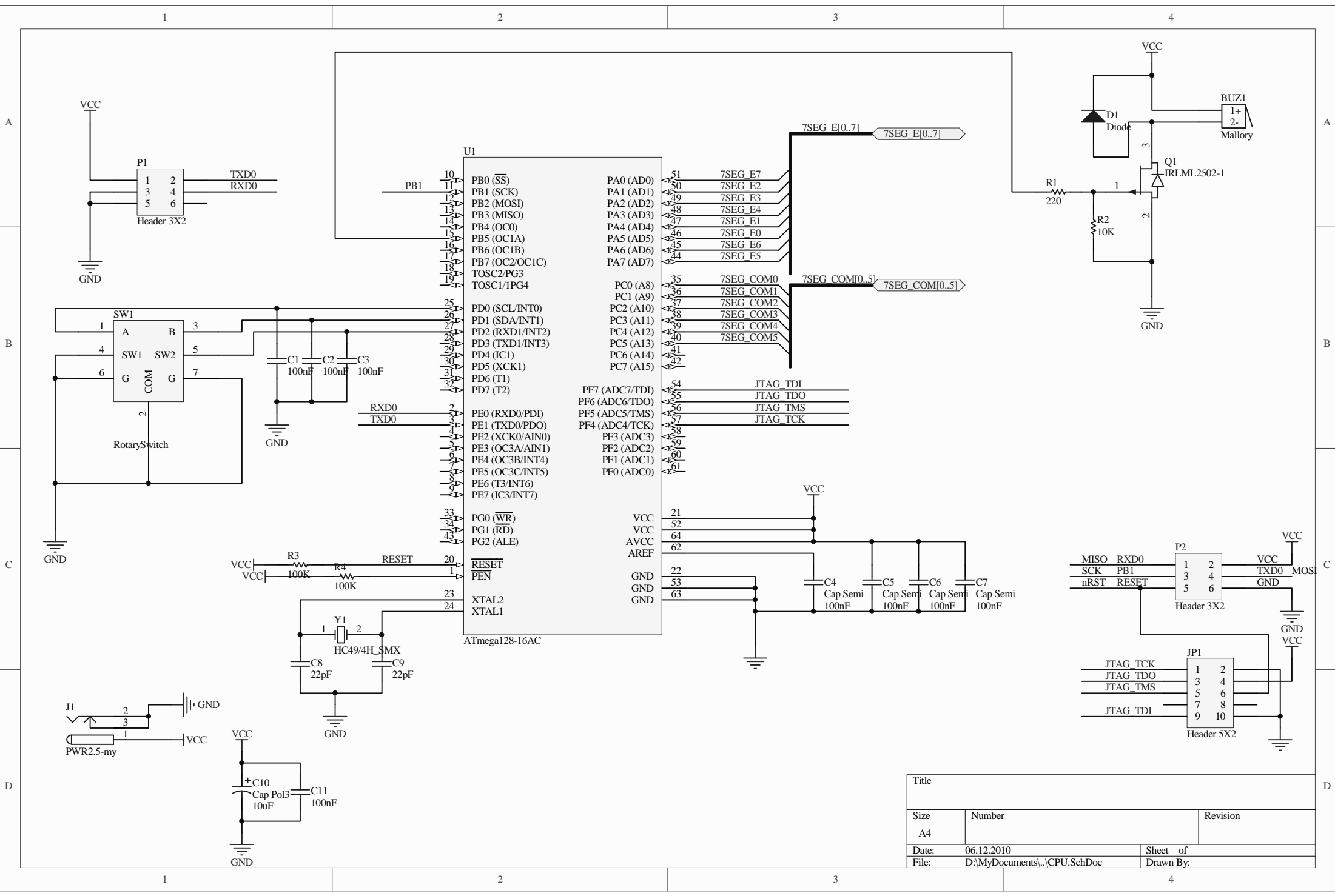
Title		
Size A4	Number	Revision
Date:	06.12.2010	Sheet of
File:	D:\MyDocuments\..\MainSheet.SchDoc	Drawn By:

1

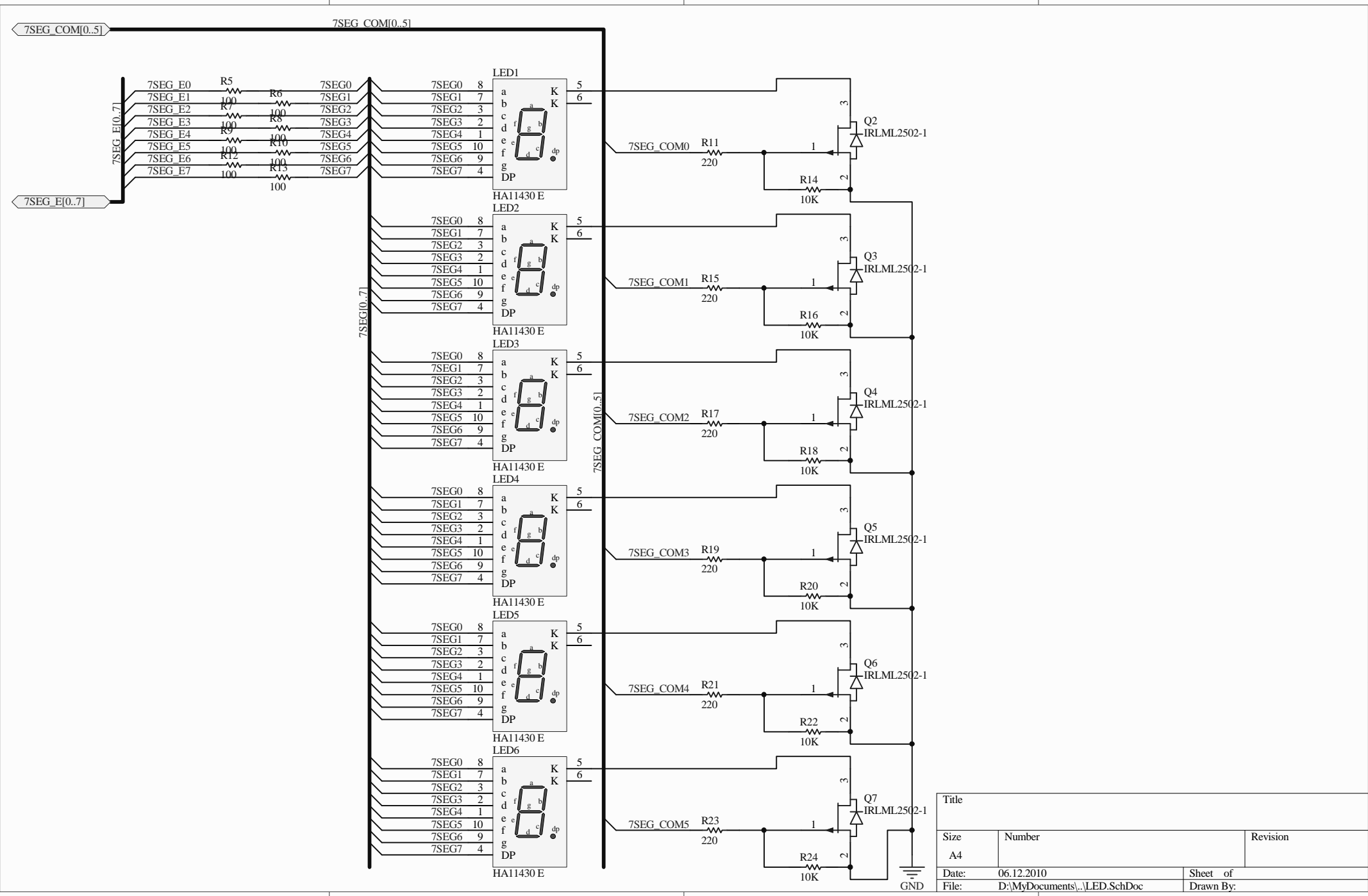
2

3

4



Title		
Size	Number	Revision
A4		
Date:	06.12.2010	Sheet of
File:	D:\MyDocuments\...\CPU.SchDoc	Drawn By:



Title		
Size A4	Number	Revision
Date: 06.12.2010	Sheet of	
File: D:\MyDocuments\...\LED.SchDoc	Drawn By:	