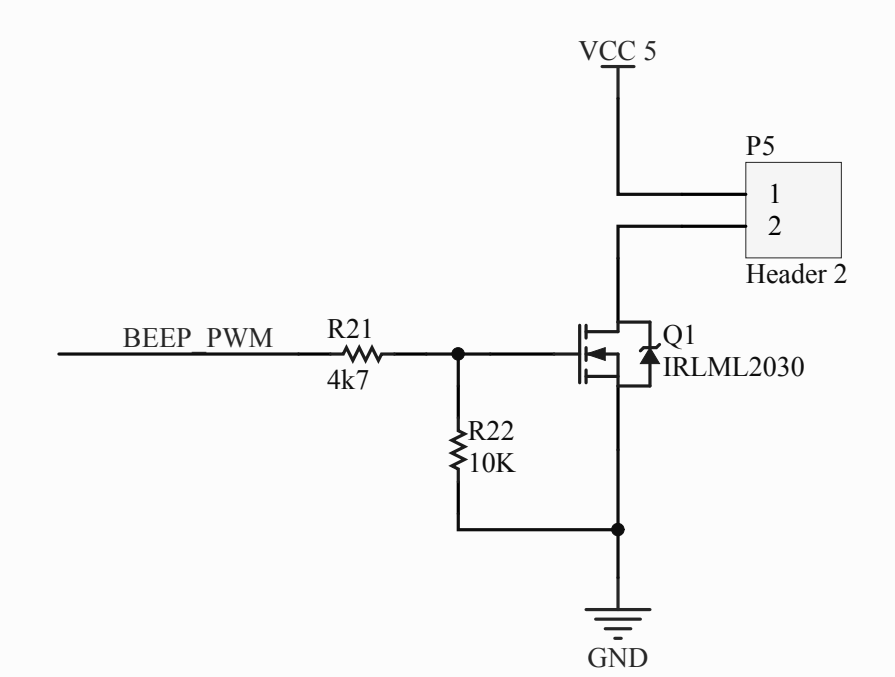
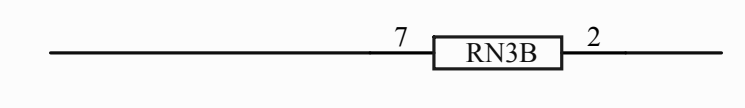
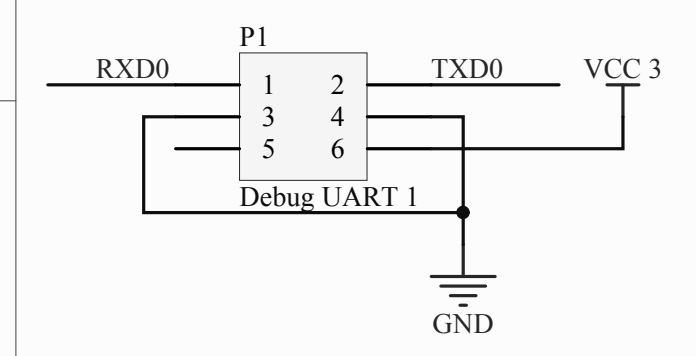
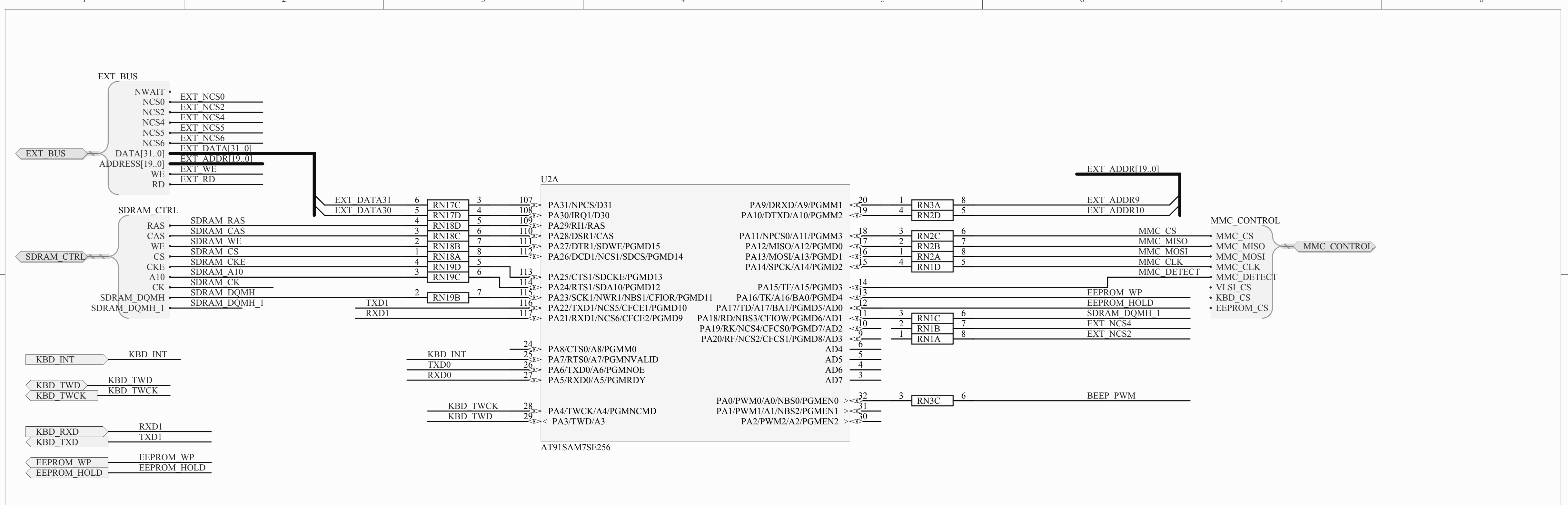
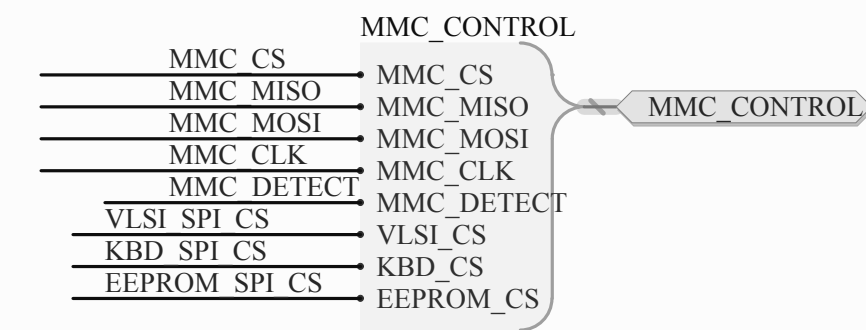
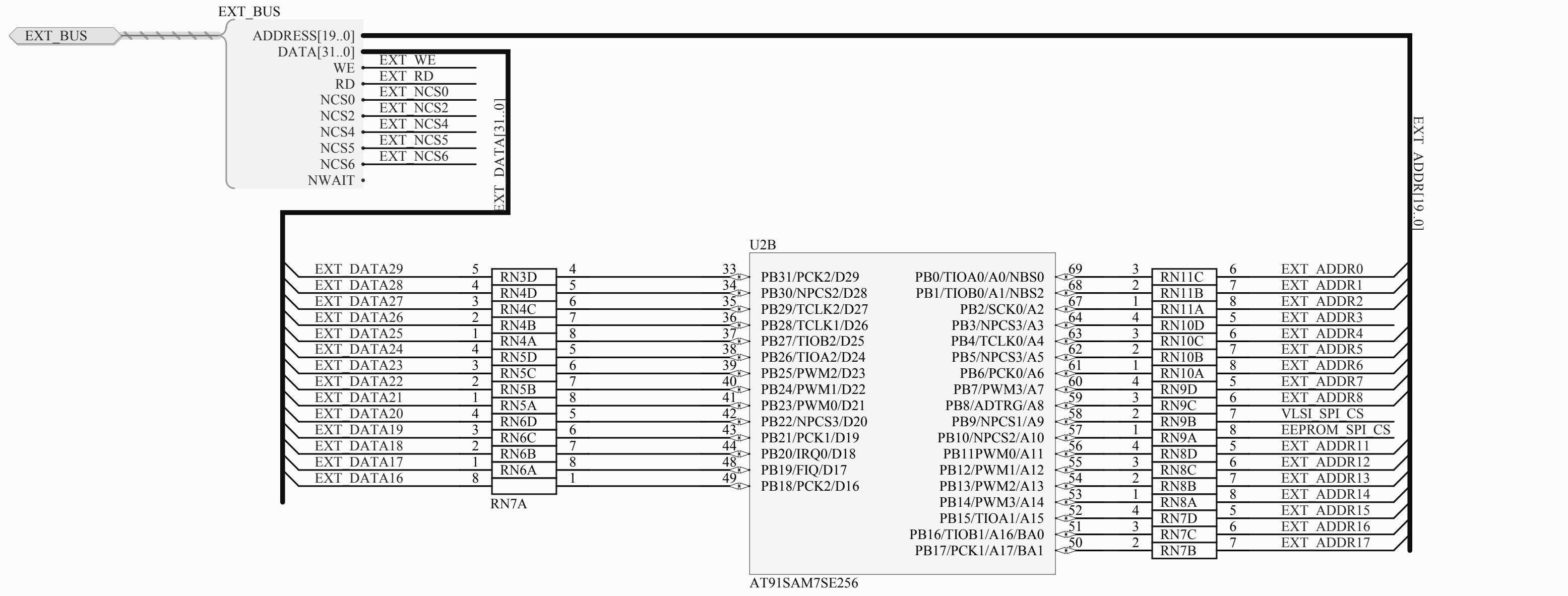


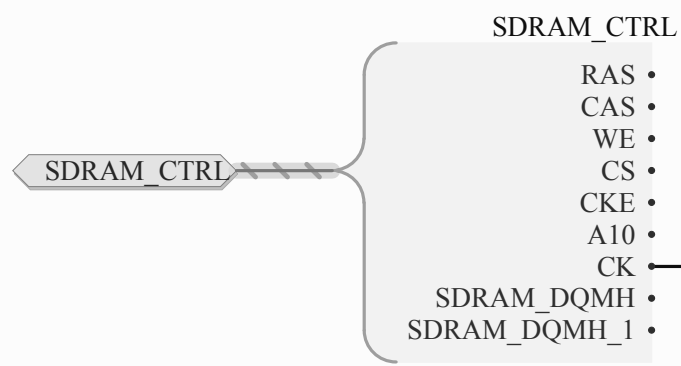
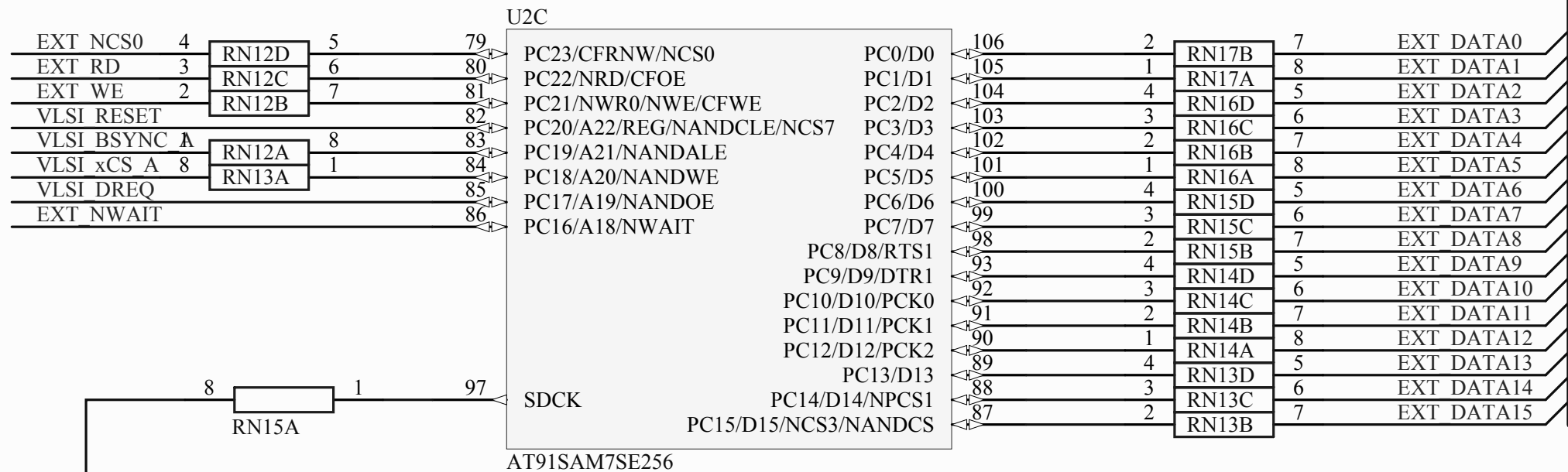
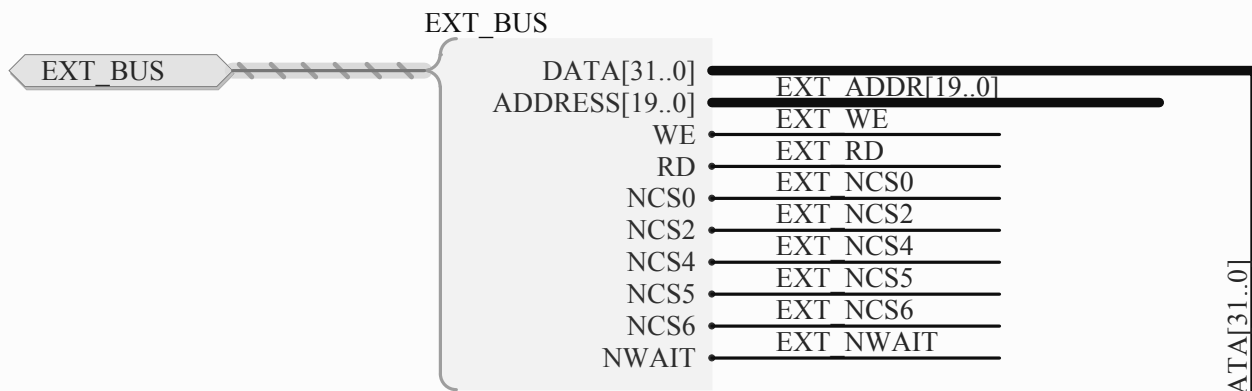
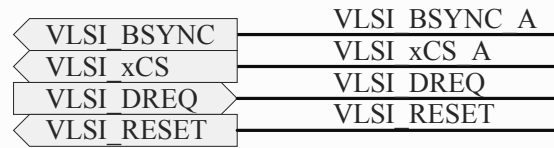
Title		
Size	Number	Revision
A4		
Date:	06.10.2013	Sheet of
File:	D:\MyProjects\...\CPU.SchDoc	Drawn By:



Title		
Size	Number	Revision
A3		
Date:	06.10.2013	Sheet of
File:	D:\MyProjects\...\CPU-A.SchDoc	Drawn By:



Title		
Size	Number	Revision
A4		
Date:	06.10.2013	Sheet of
File:	D:\MyProjects\...\CPU-B.SchDoc	Drawn By:



Title		
Size	Number	Revision
A4		
Date:	06.10.2013	Sheet of
File:	D:\MyProjects\...\CPU-C.SchDoc	Drawn By:

A

A

B

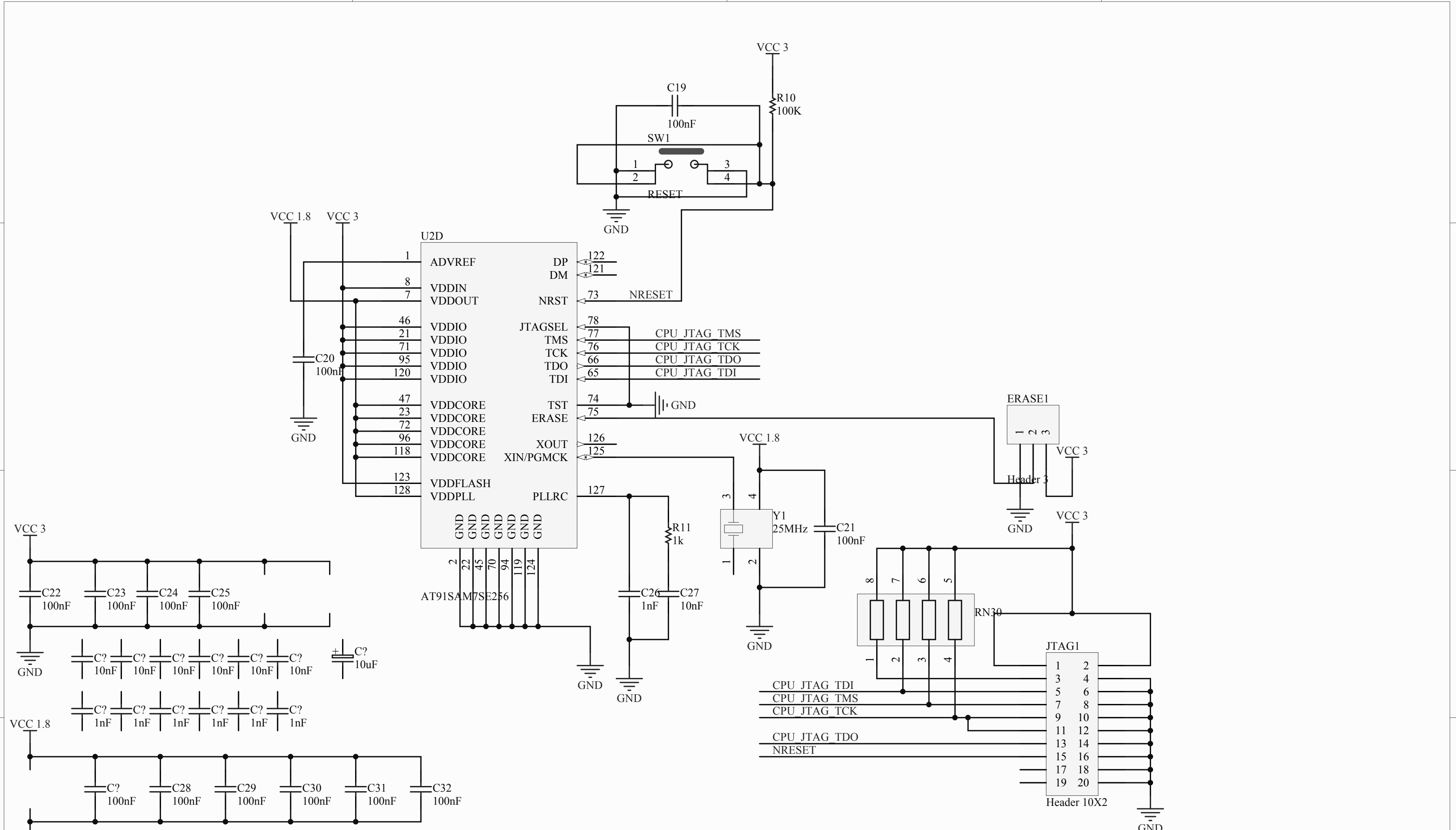
B

C

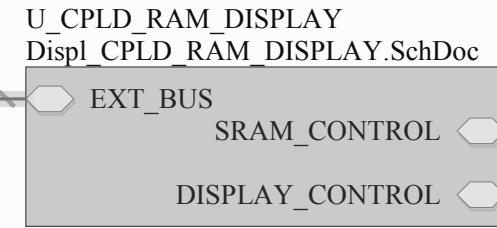
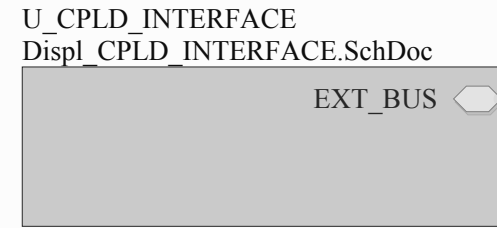
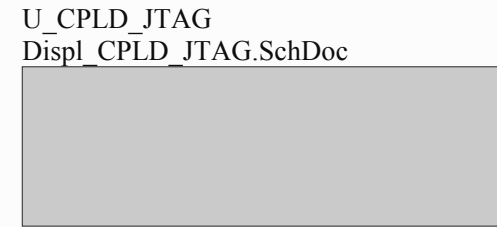
C

D

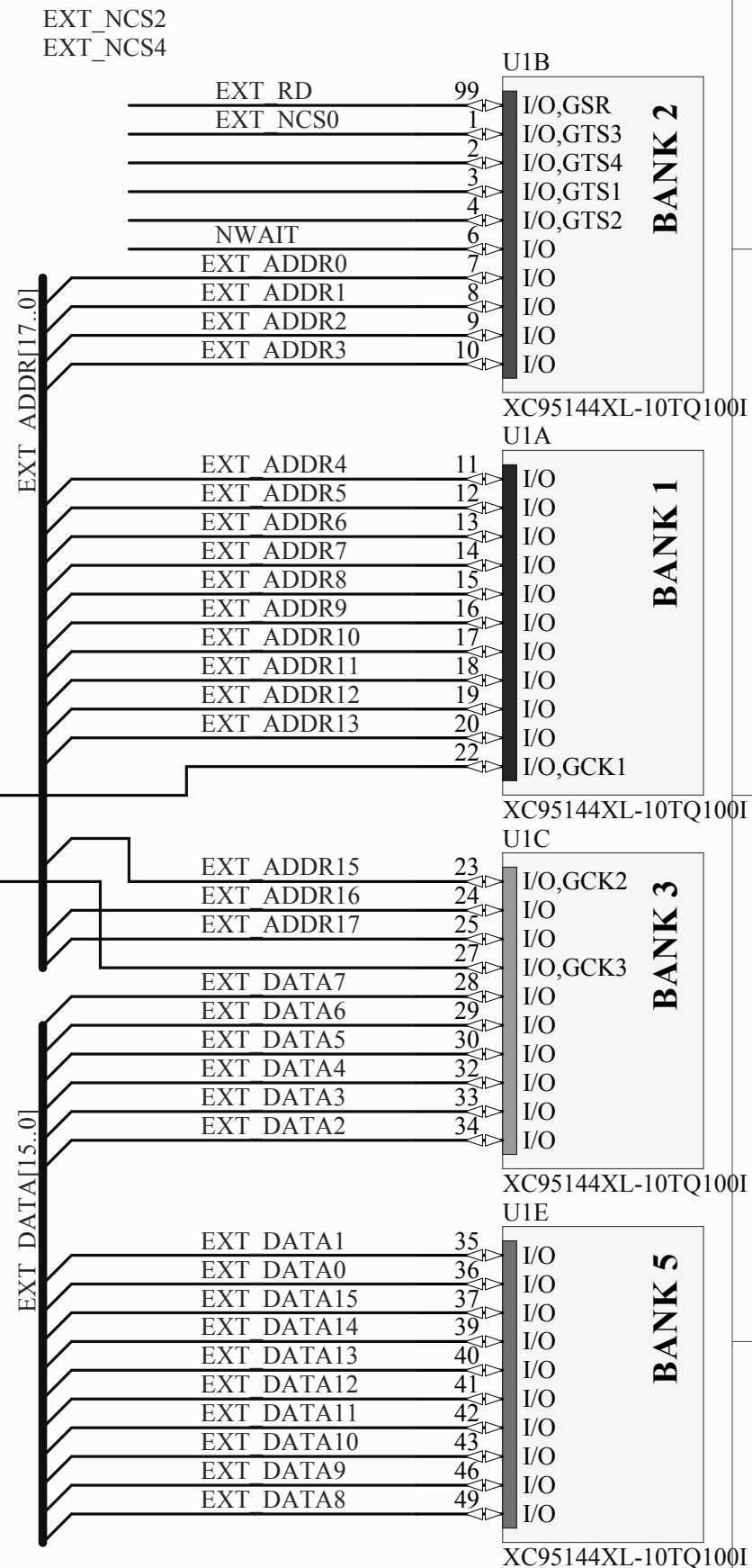
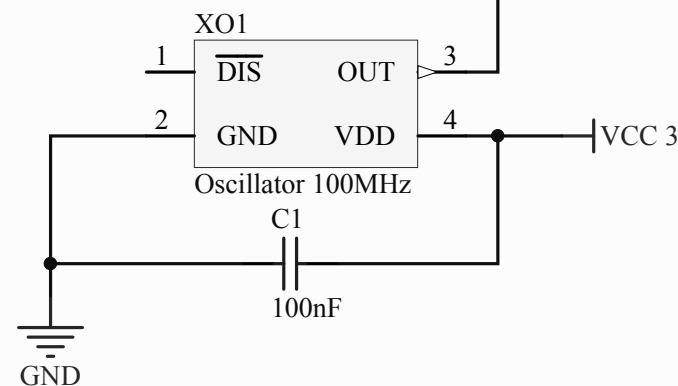
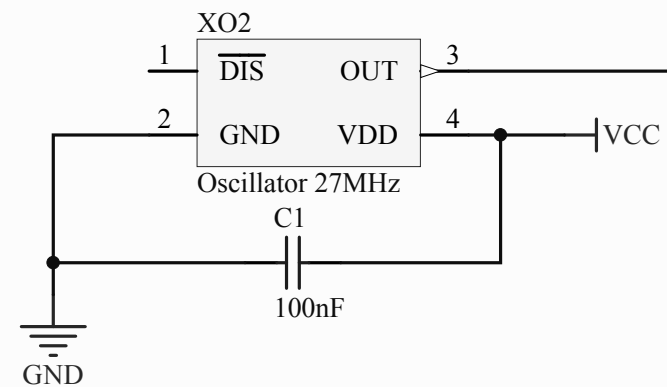
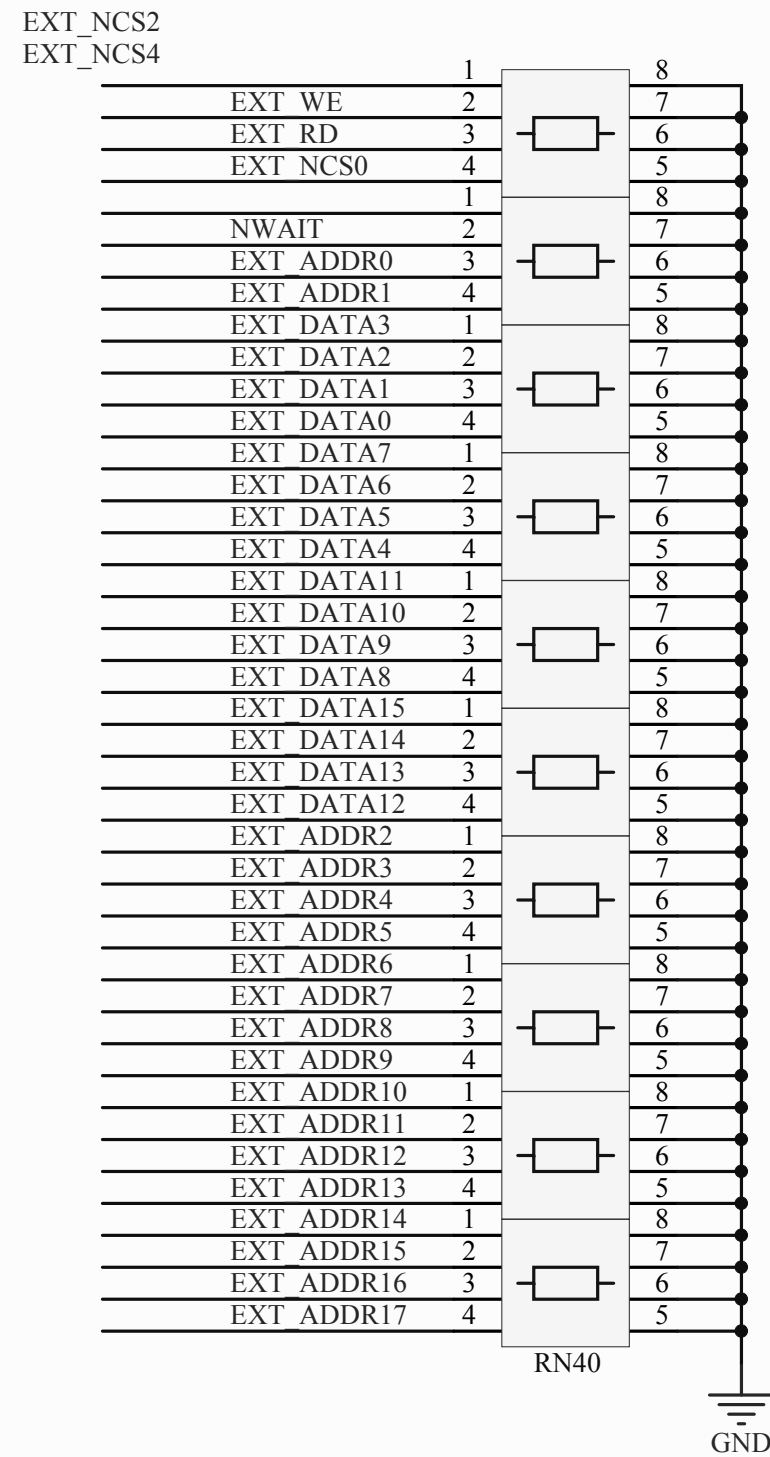
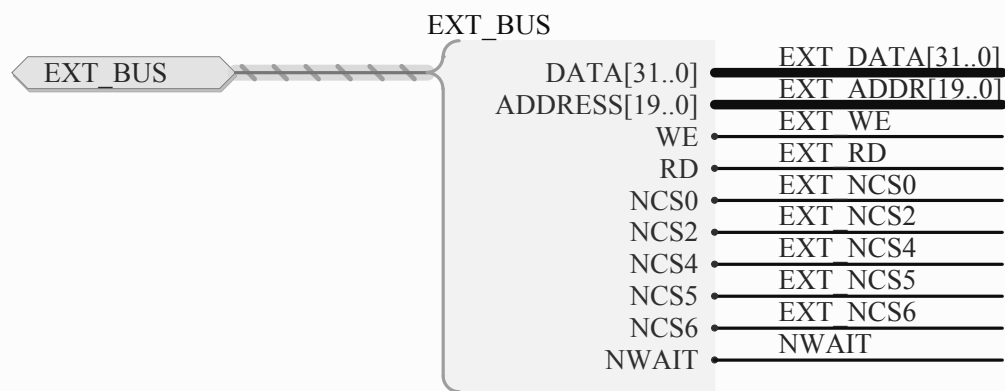
D



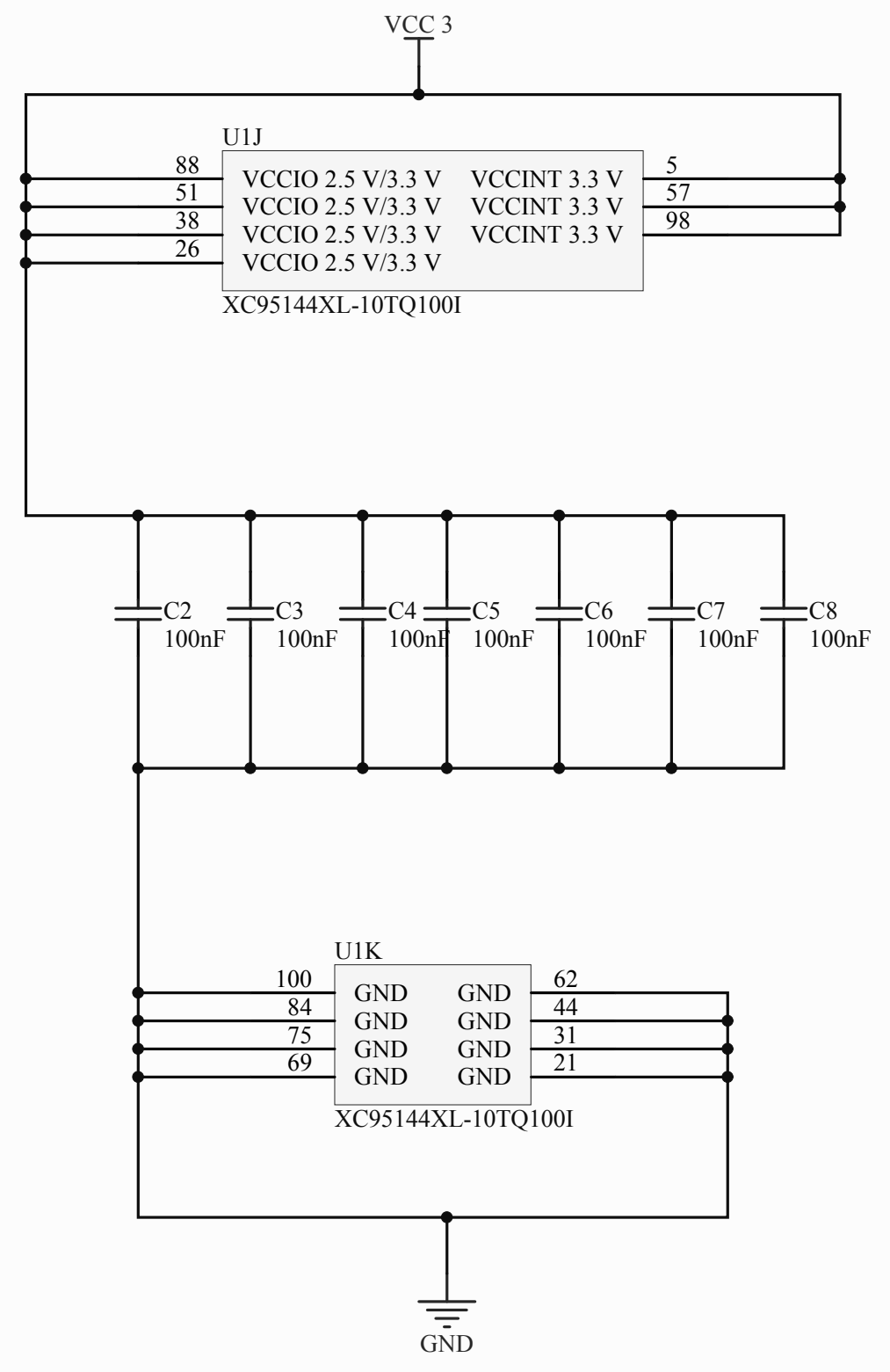
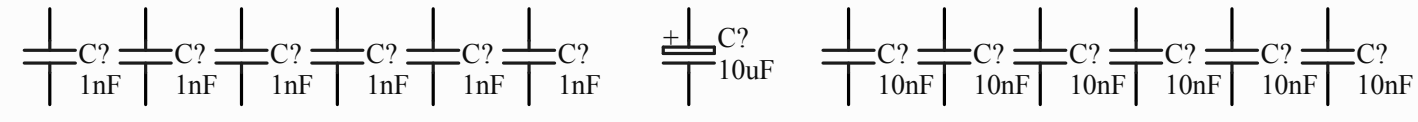
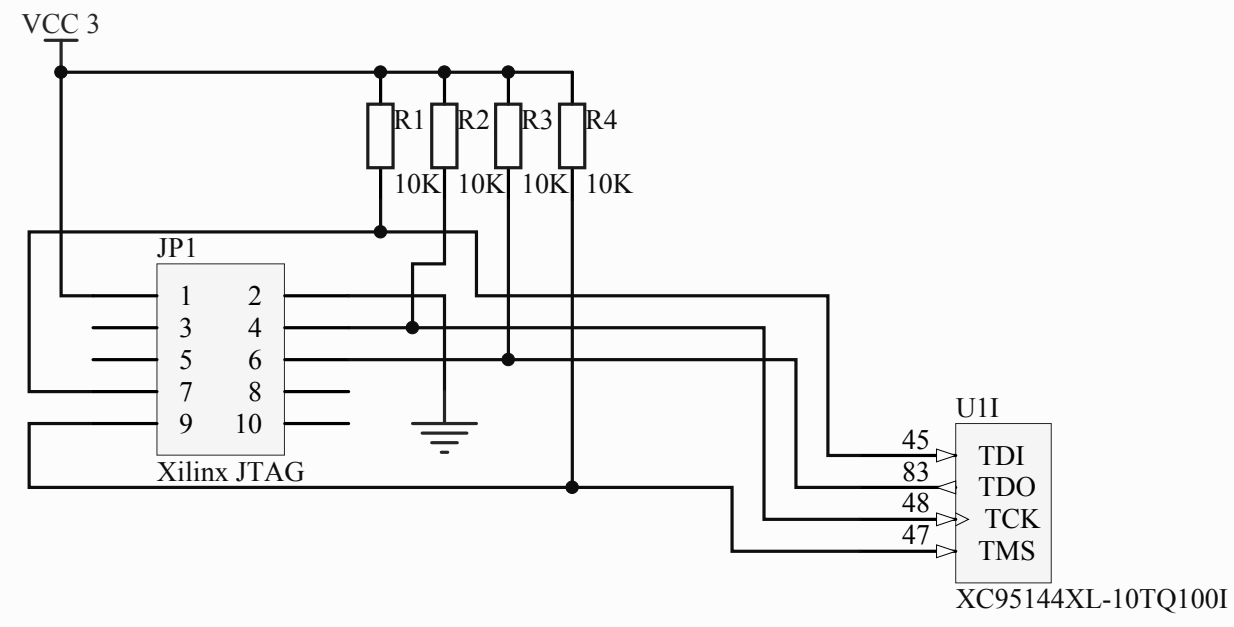
Title		
Size	Number	Revision
A4		
Date:	06.10.2013	Sheet of
File:	D:\MyProjects\...\CPU-JTAG.SchDoc	Drawn By:



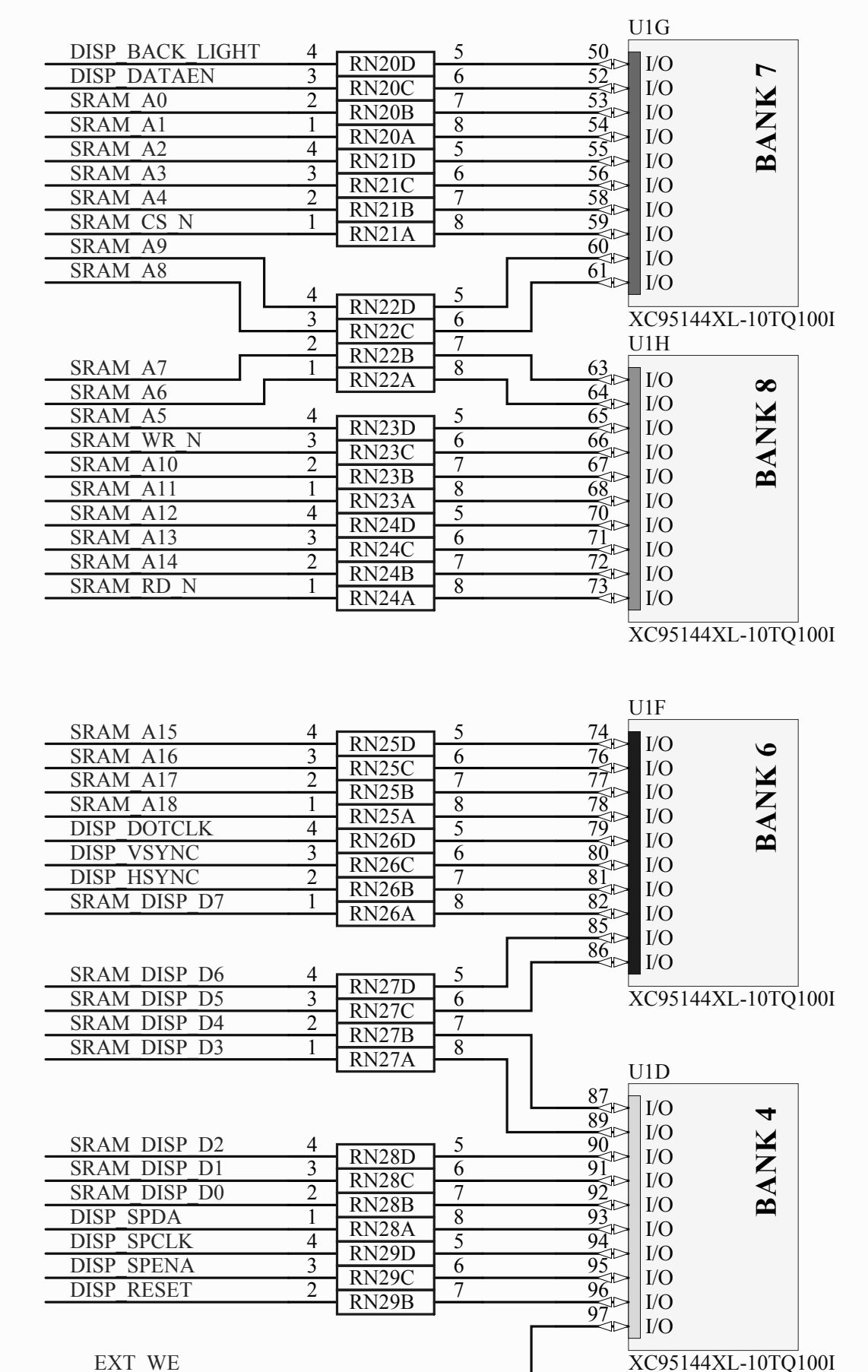
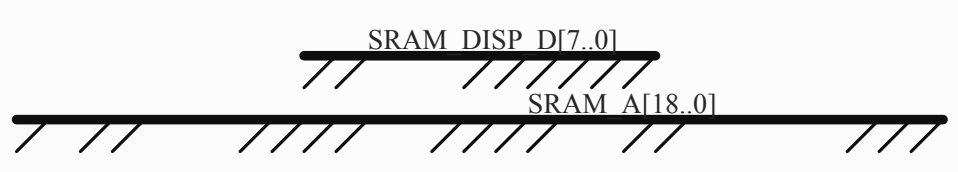
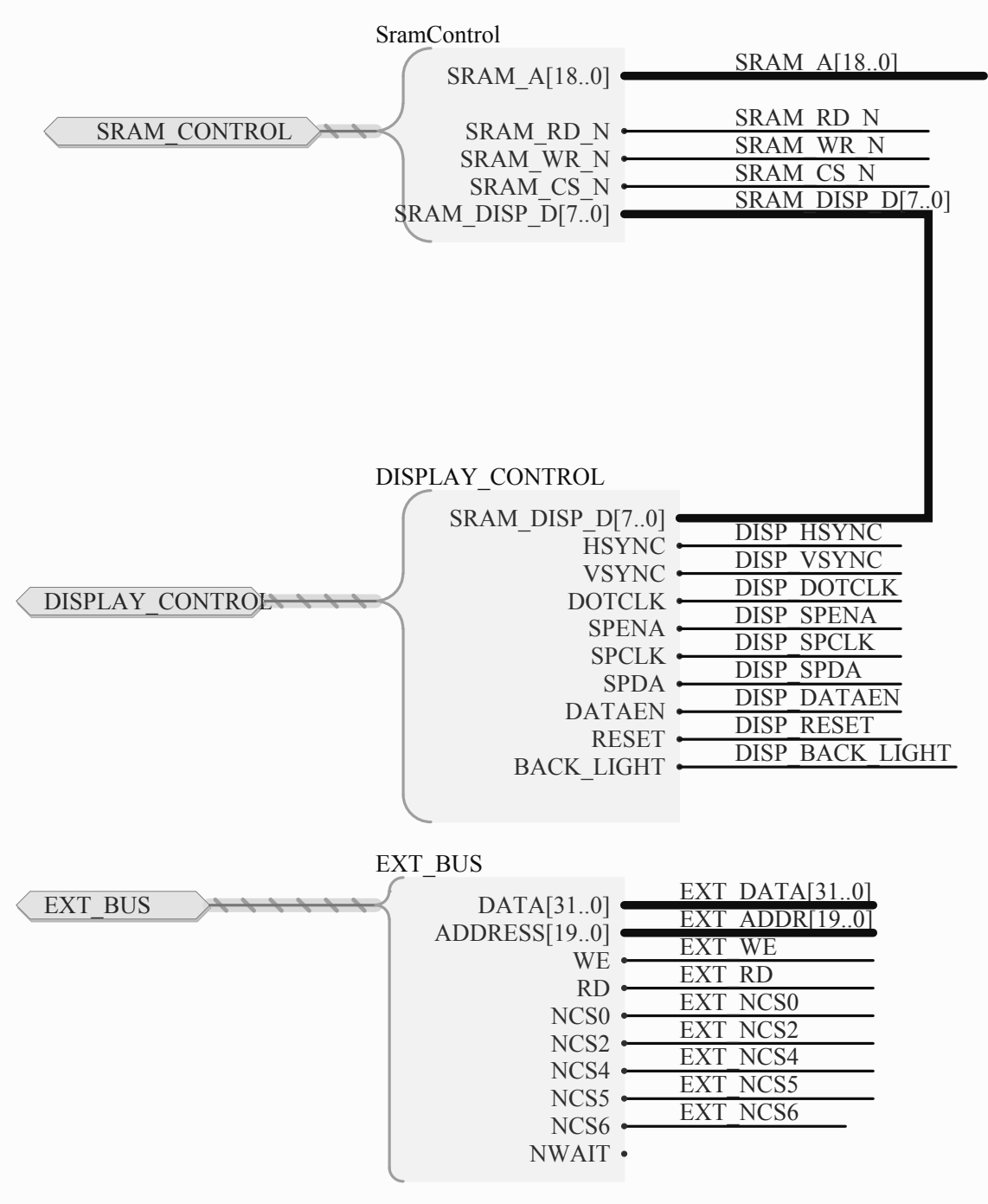
Title		
Size	Number	Revision
A4		
Date:	06.10.2013	Sheet of
File:	D:\MyProjects\...\Displ_CPLD.SchDoc	Drawn By:



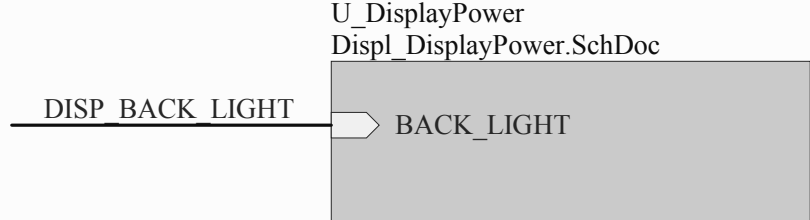
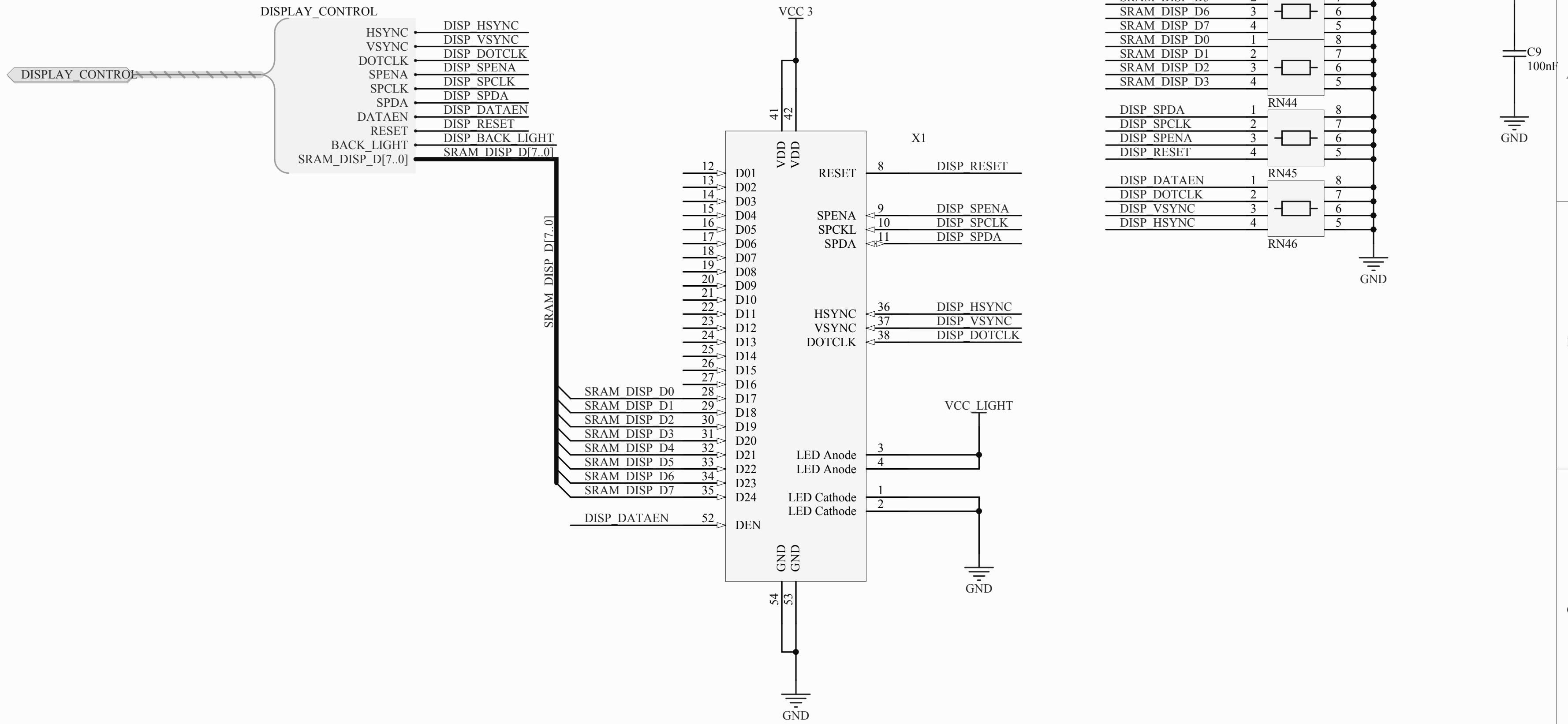
Title		
Size	Number	Revision
A4		
Date:	06.10.2013	Sheet of
File:	D:\MyProjects\...\Displ_CPLD_INTERFAC	By:



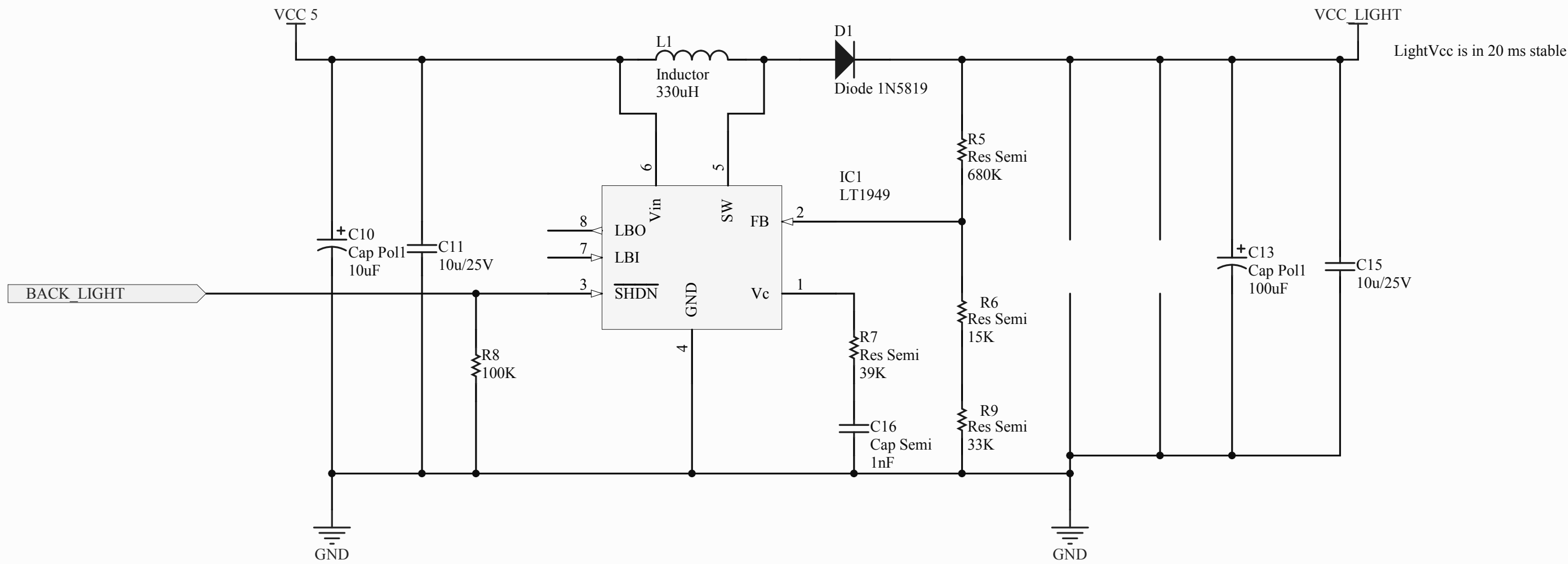
Title		
Size	Number	Revision
A4		
Date:	06.10.2013	Sheet of
File:	D:\MyProjects\...\Displ_CPLD_JTAG.SchDoc	Drawn By:



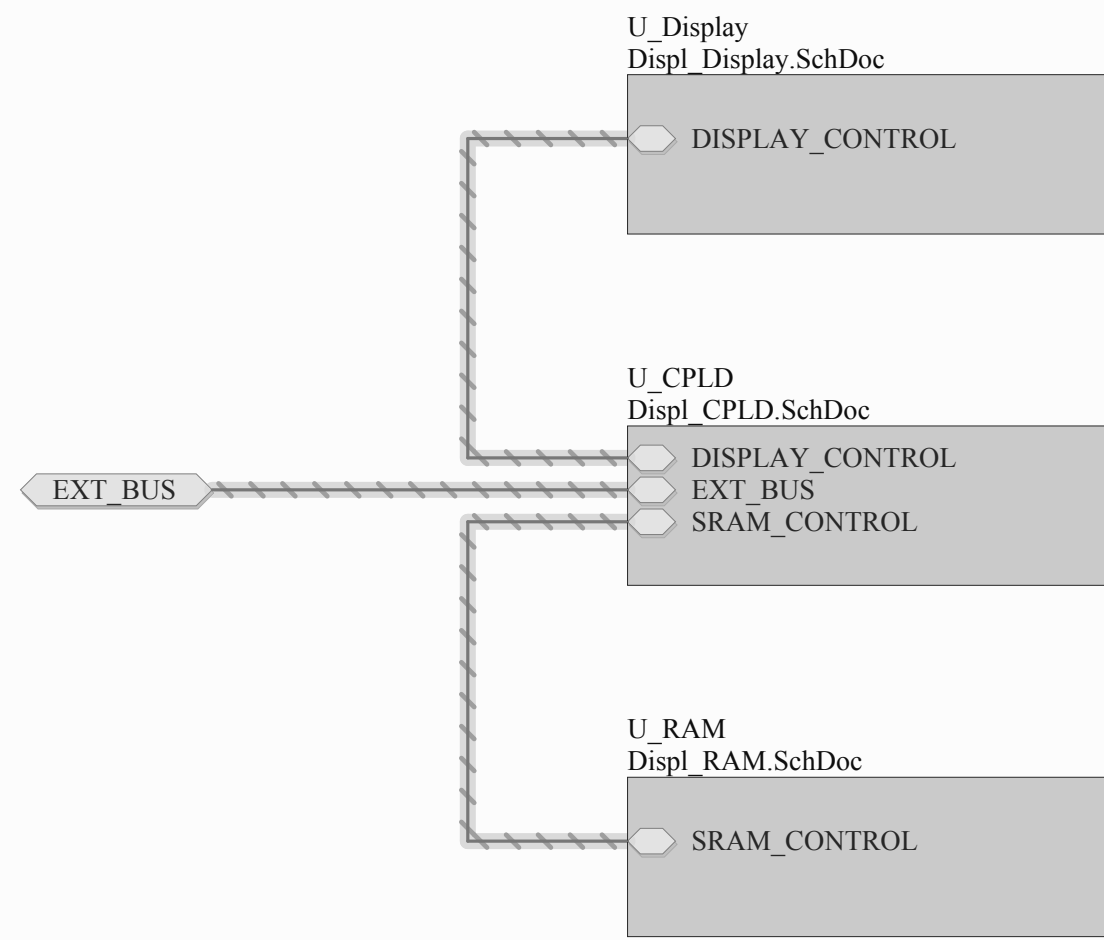
Title		
Size	Number	Revision
A4		
Date:	06.10.2013	Sheet of
File:	D:\MyProjects\...\Displ CPLD_RAM_DISPDAV6.SchDoc	DAV6.SchDoc



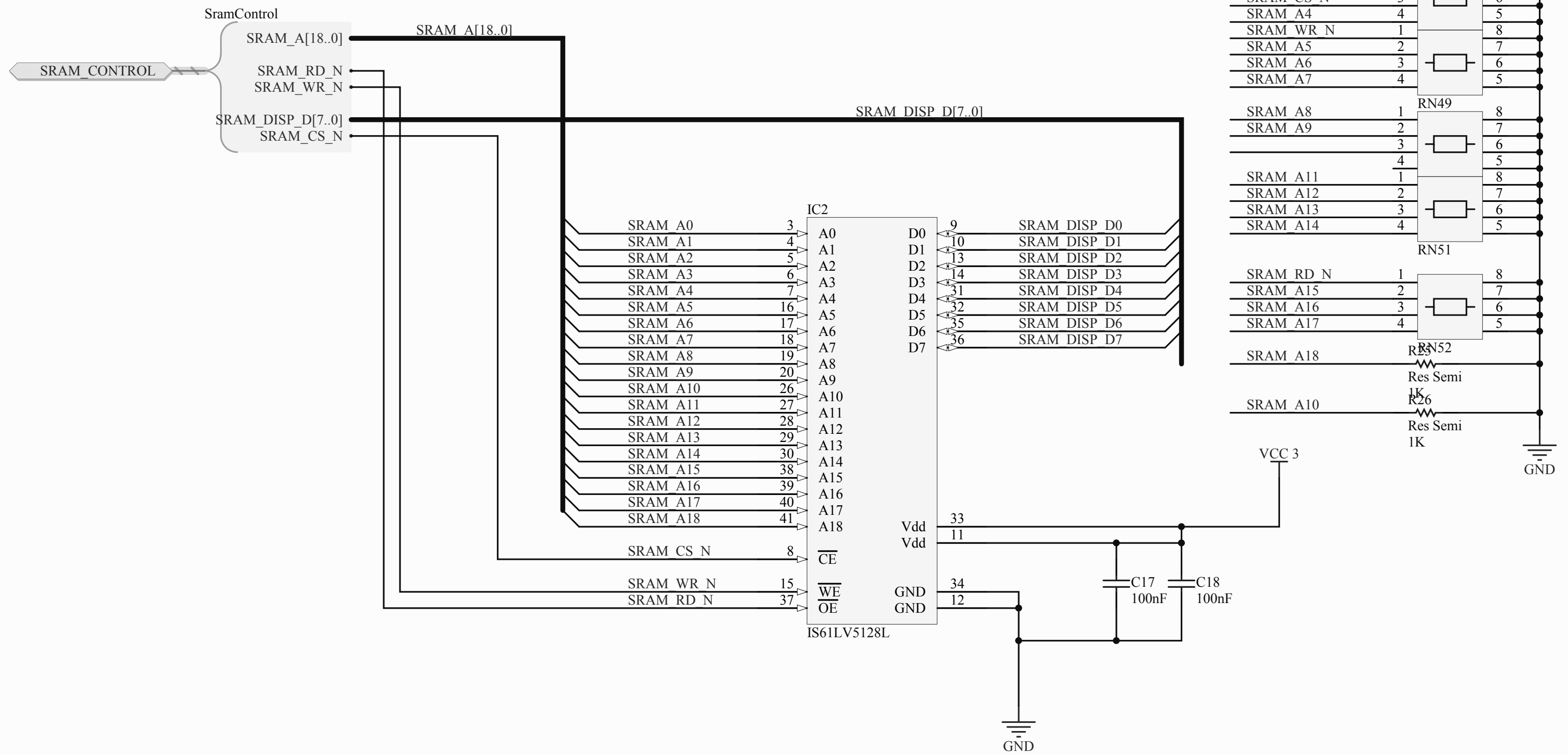
Title		
Size	Number	Revision
A4		
Date:	06.10.2013	Sheet of
File:	D:\MyProjects\...\Displ_Display.SchDoc	Drawn By:



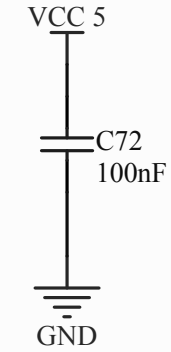
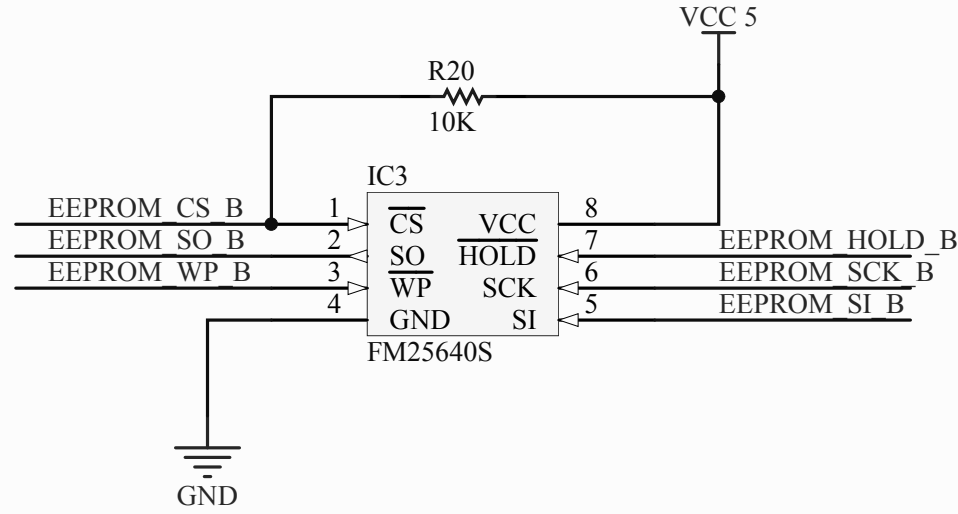
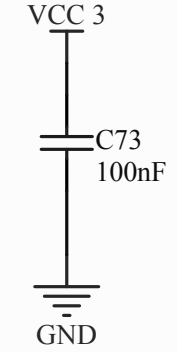
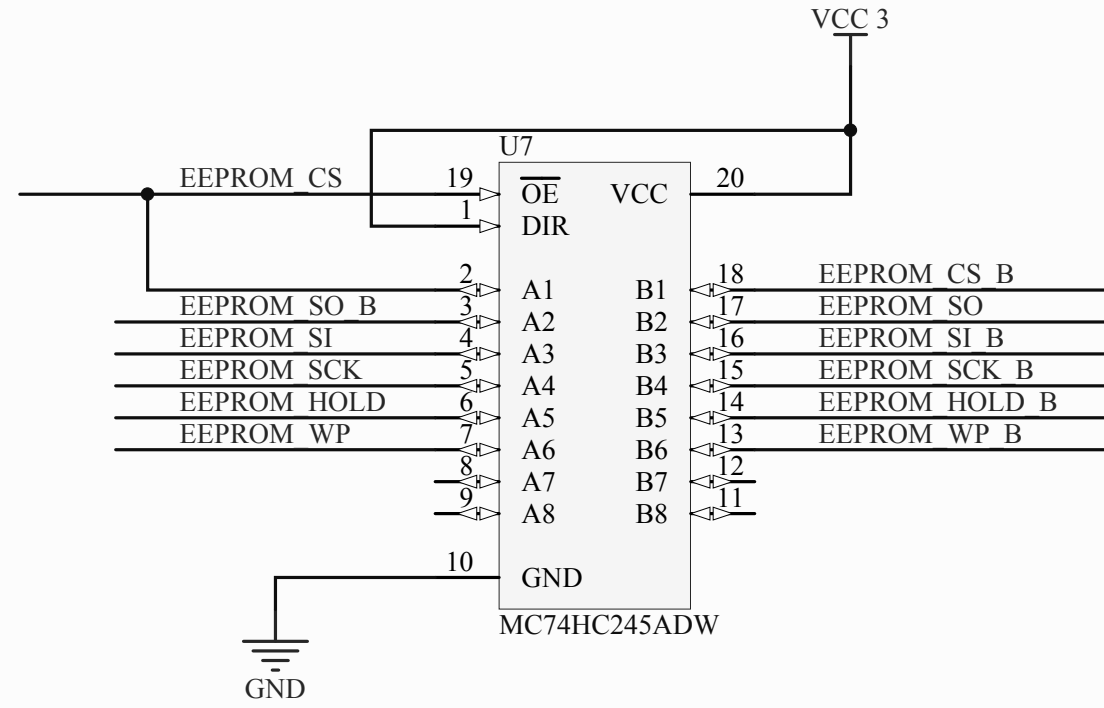
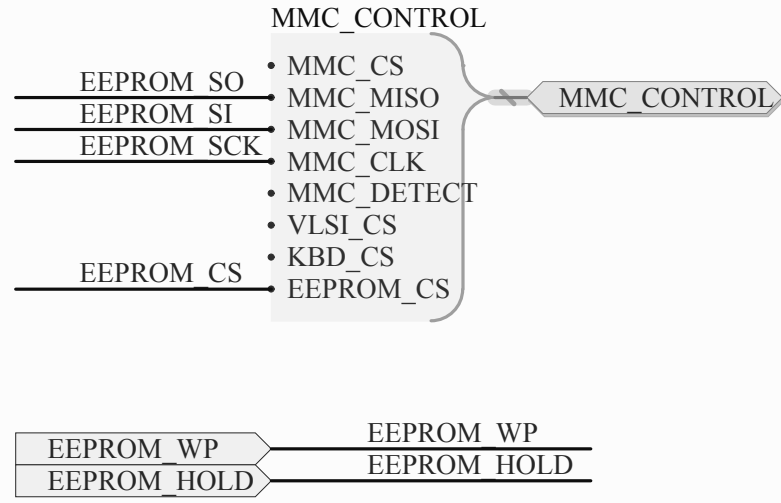
Title		
Size	Number	Revision
A4		
Date:	06.10.2013	Sheet of
File:	D:\MyProjects\...\Displ_DisplayPower.SchDoc	Drawn By:



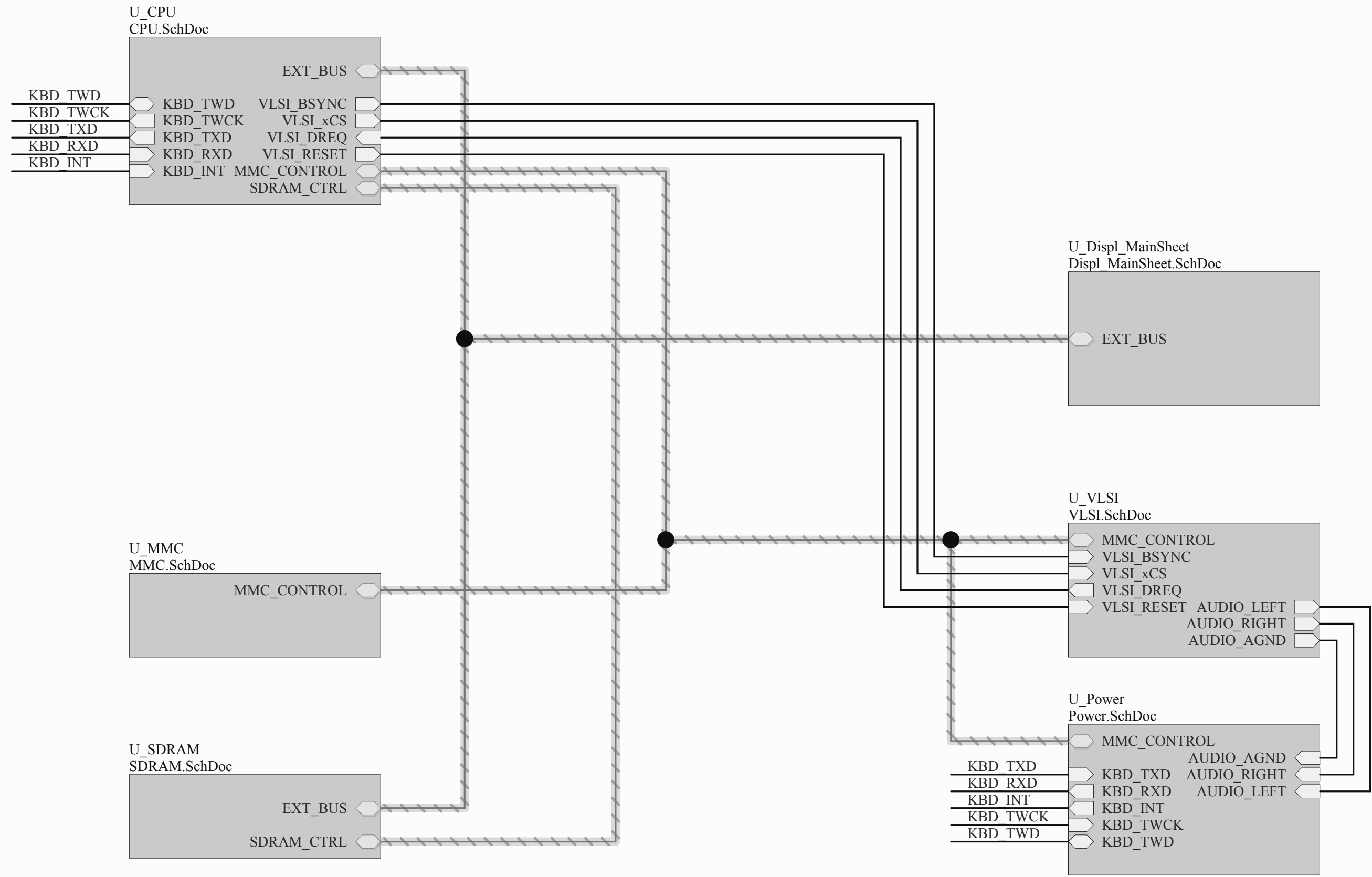
Title		
Size	Number	Revision
A4		
Date:	06.10.2013	Sheet of
File:	D:\MyProjects\...\Displ_MainSheet.SchDoc	Drawn By:



Title		
Size	Number	Revision
A4		
Date:	06.10.2013	Sheet of
File:	D:\MyProjects\...\Displ_RAM.SchDoc	Drawn By:



Title		
Size	Number	Revision
A4		
Date:	06.10.2013	Sheet of
File:	D:\MyProjects\...\EEPROM.SchDoc	Drawn By:



Title		
Size	Number	Revision
A4		
Date:	06.10.2013	Sheet of
File:	D:\MyProjects\...\MainSheet.SchDoc	Drawn By:

A

A

B

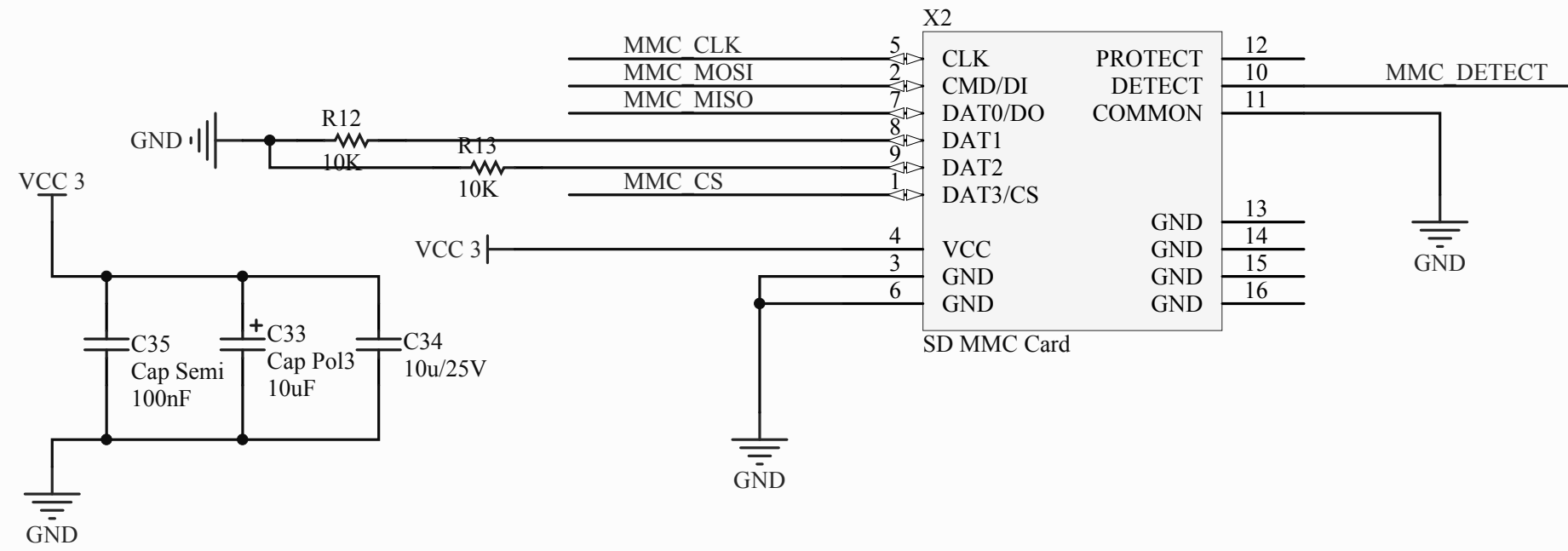
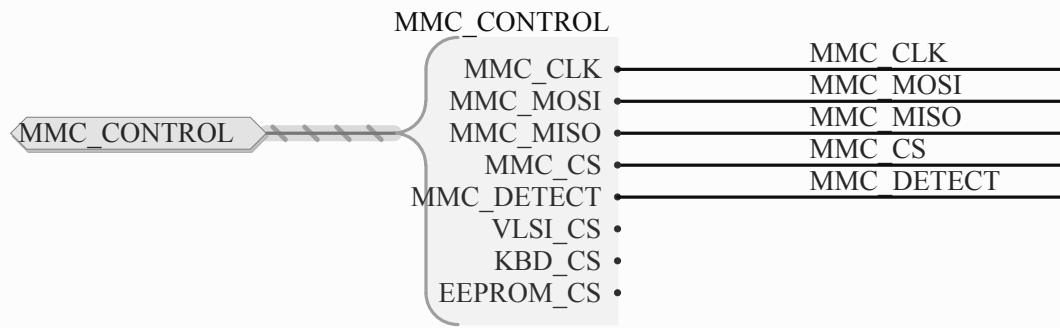
B

C

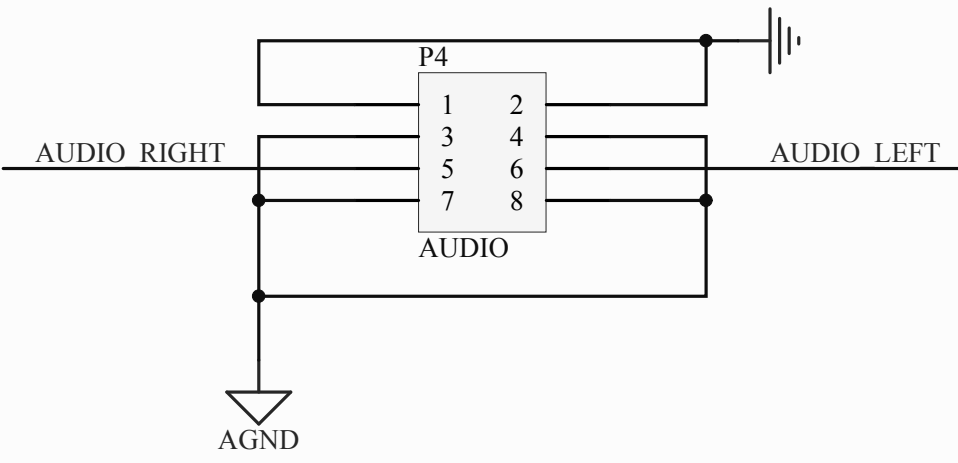
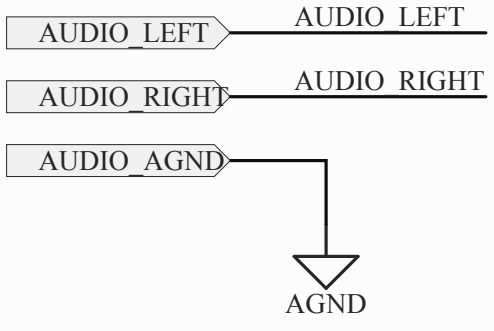
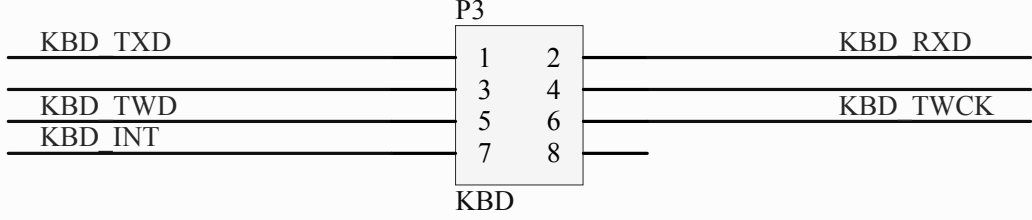
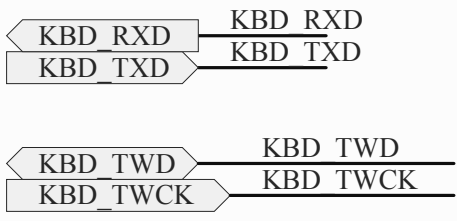
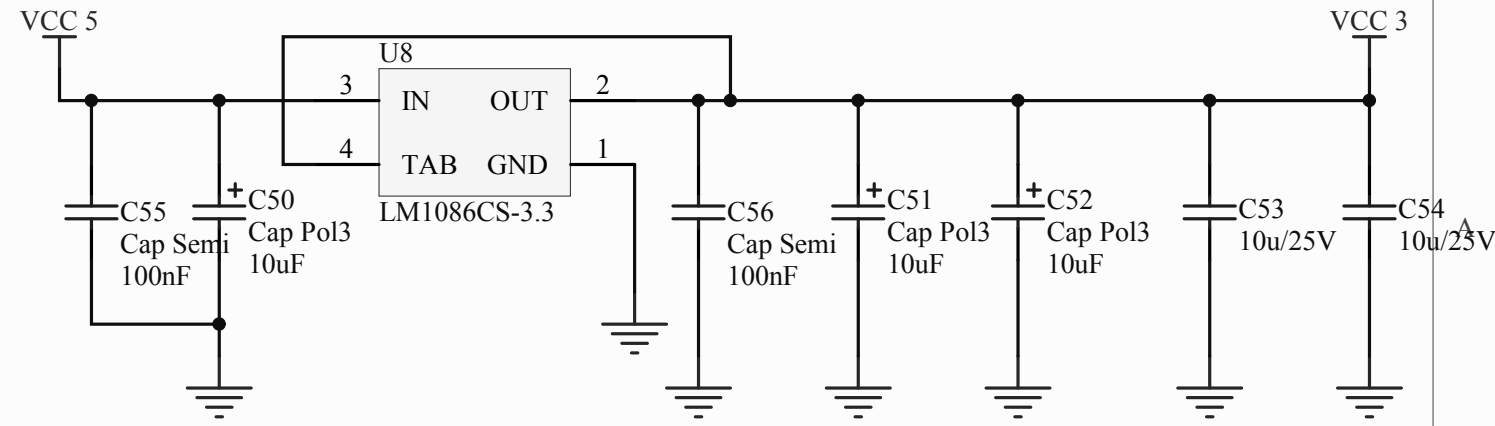
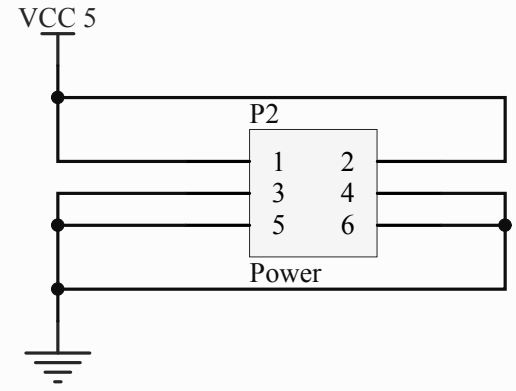
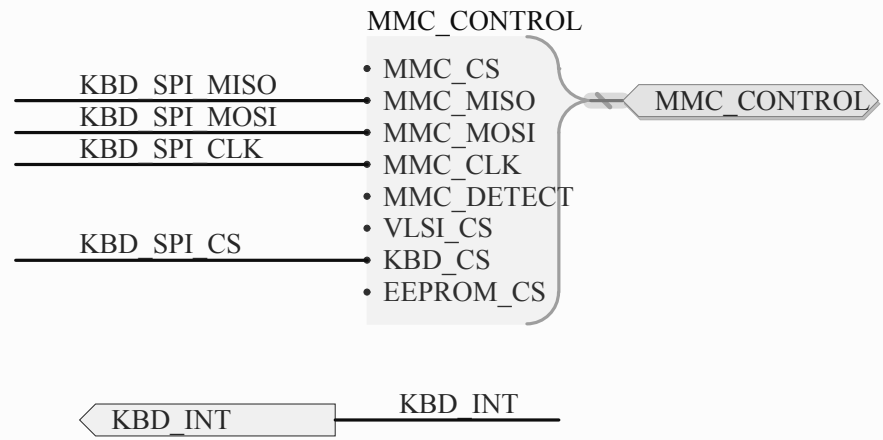
C

D

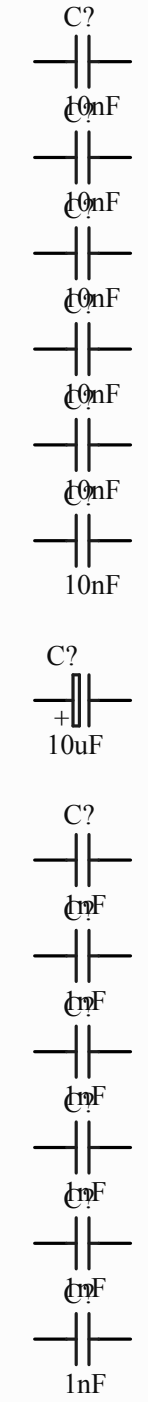
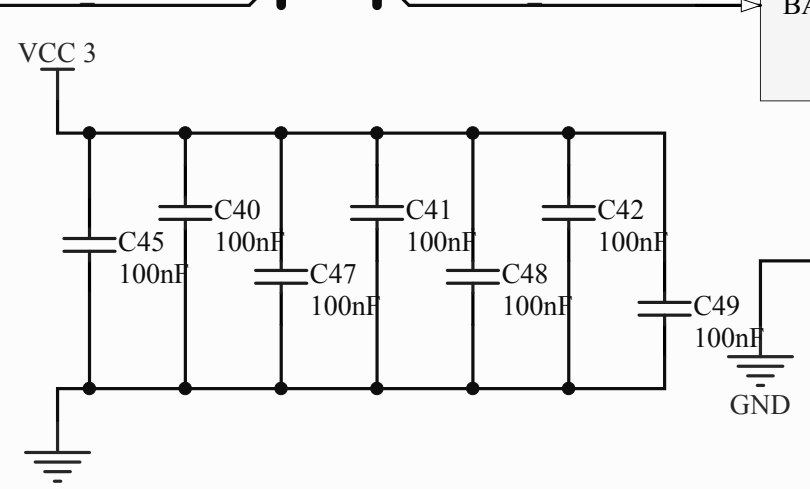
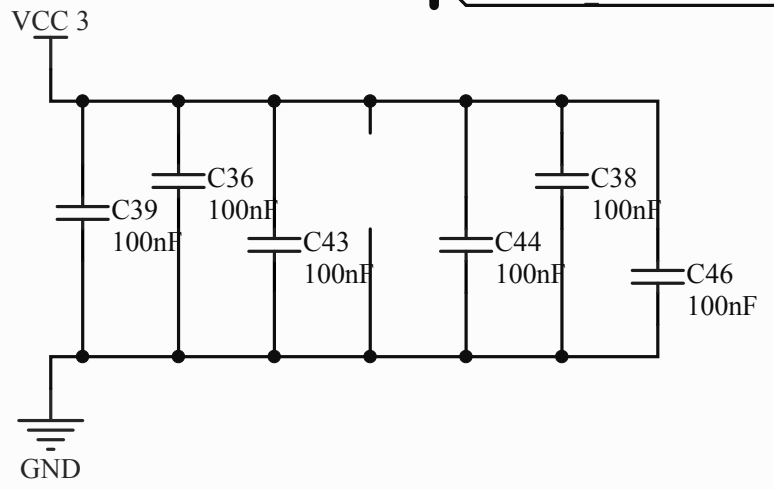
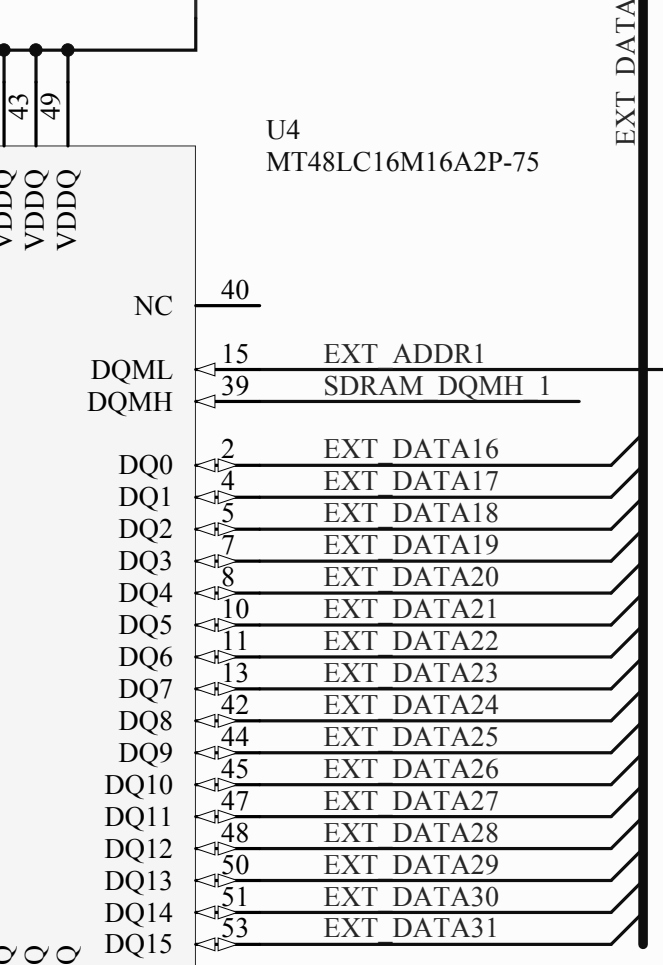
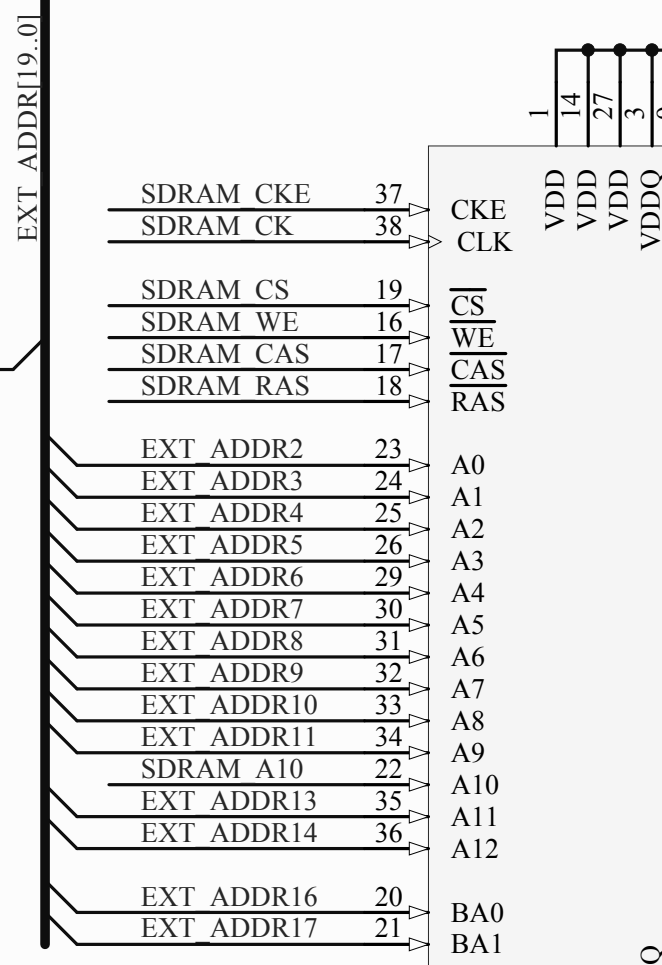
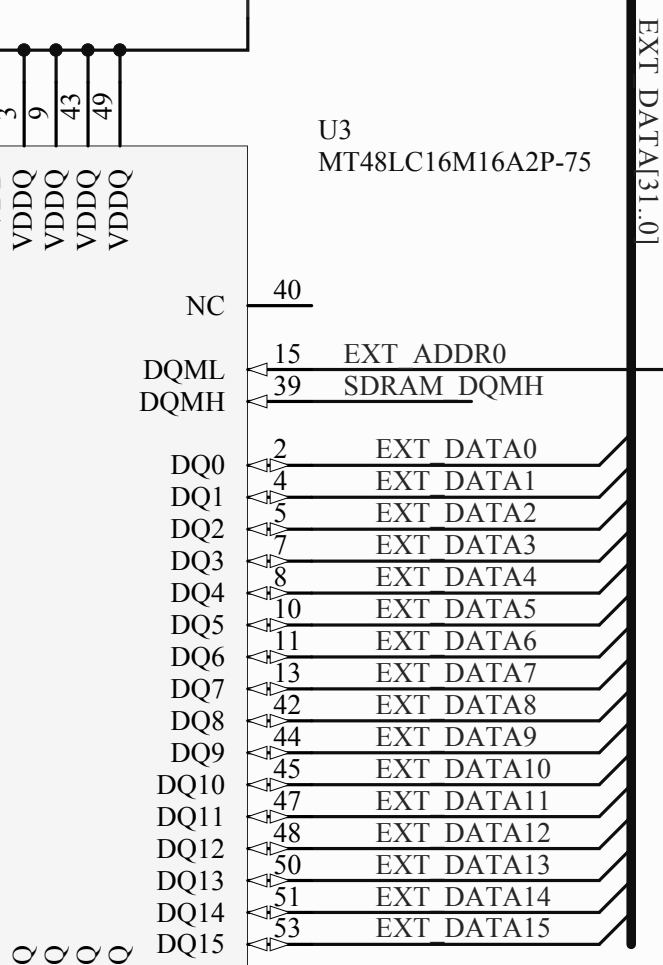
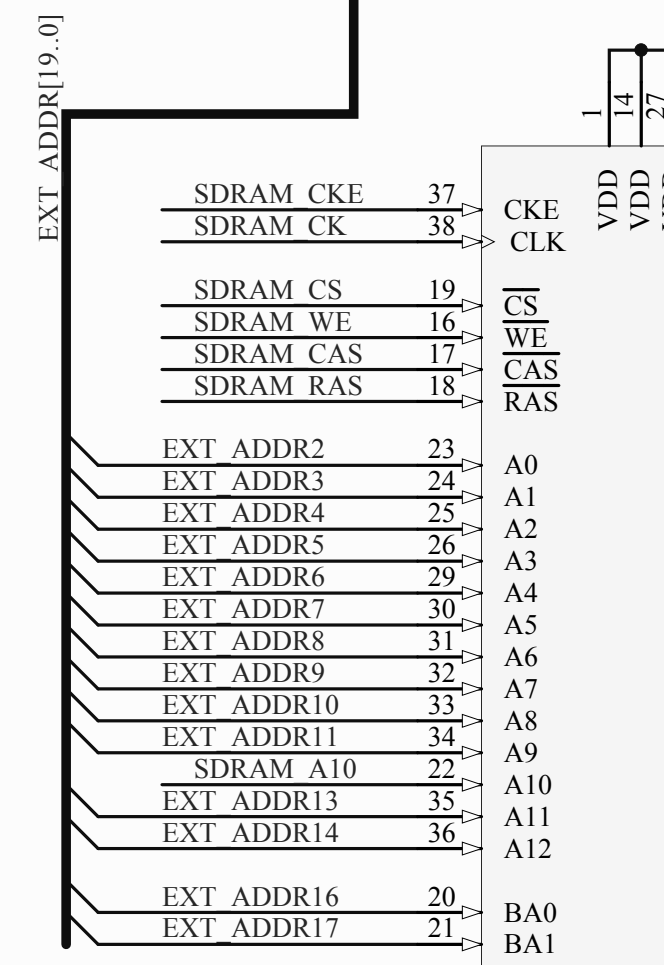
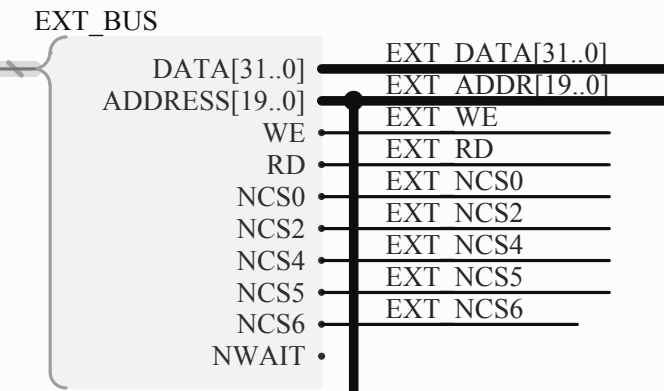
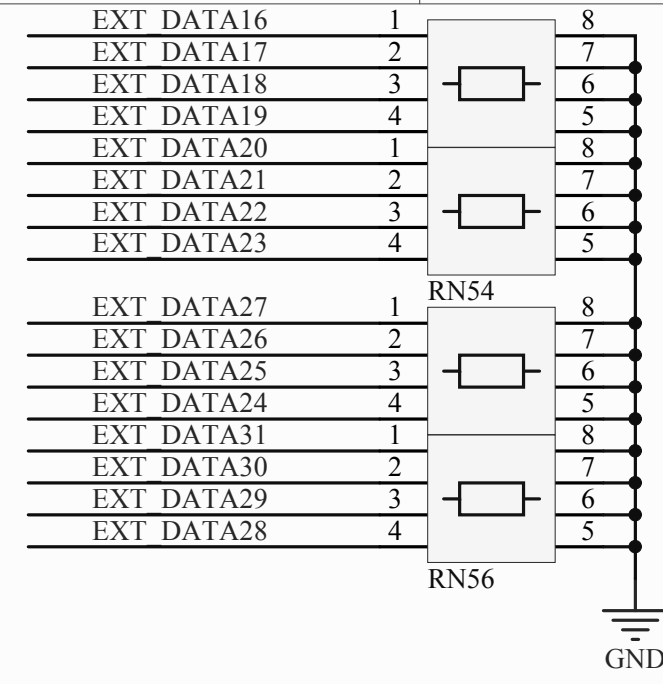
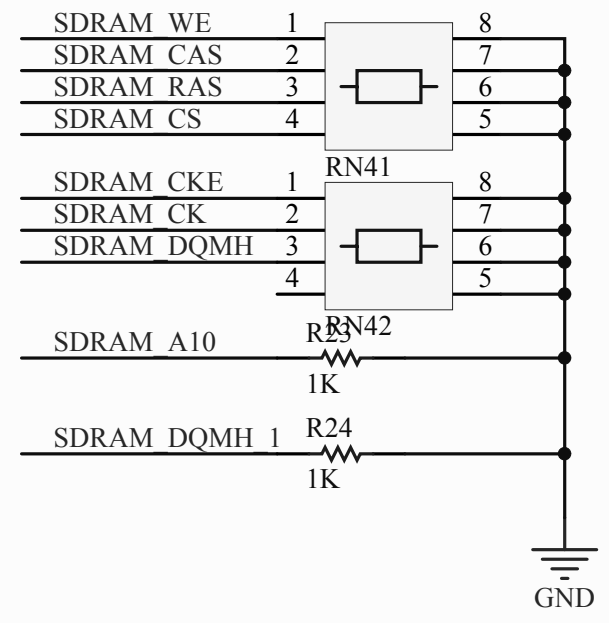
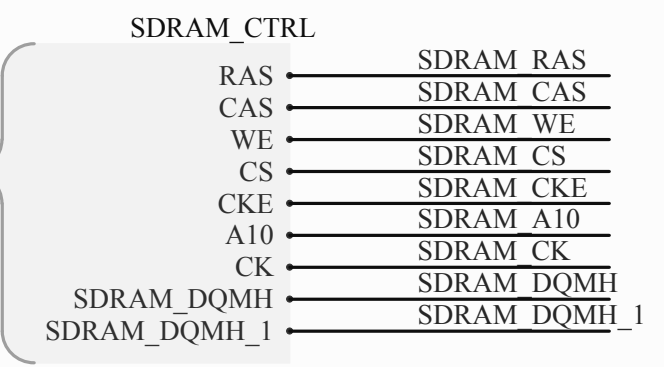
D



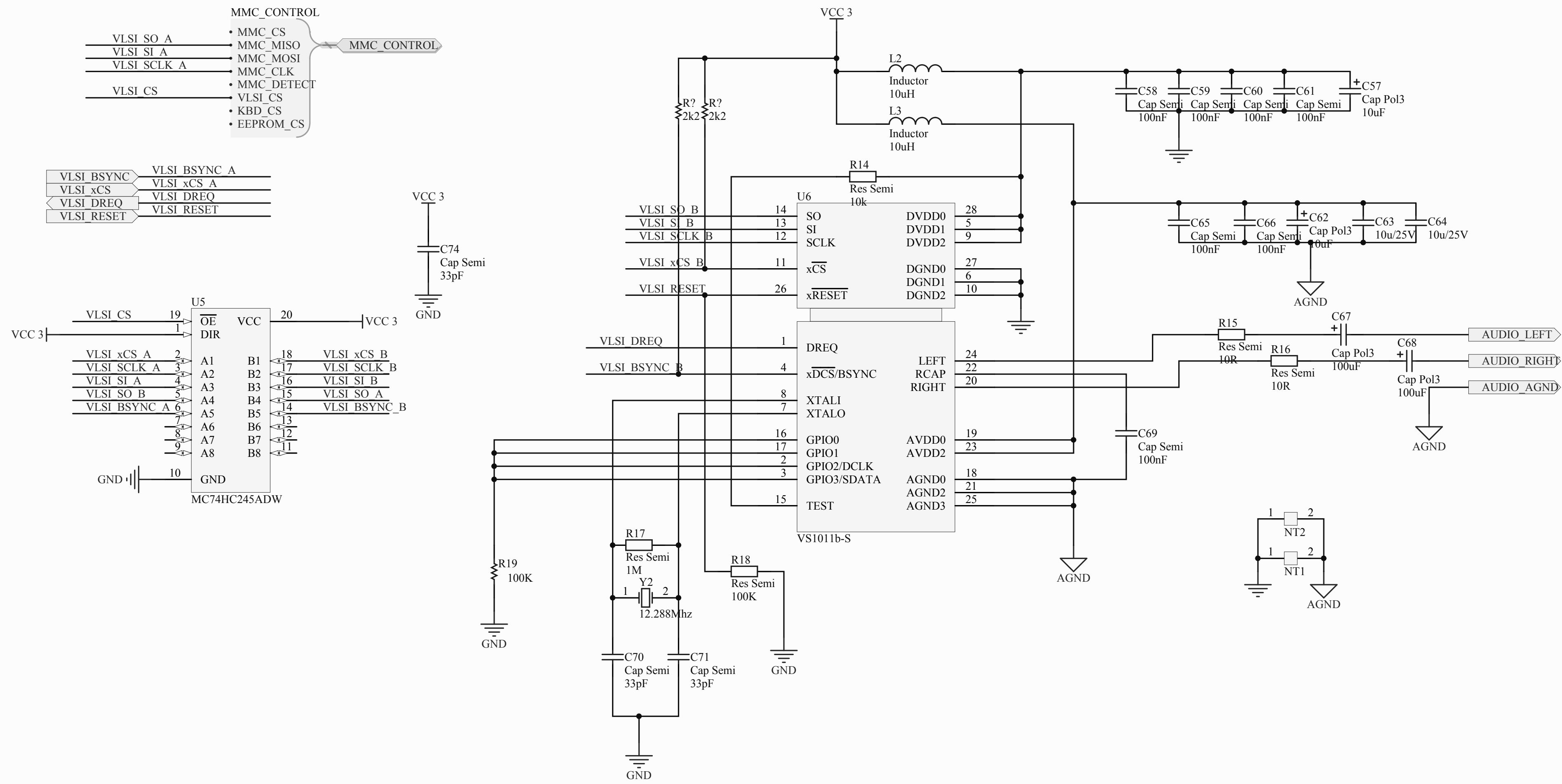
Title		
Size	Number	Revision
A4		
Date:	06.10.2013	Sheet of
File:	D:\MyProjects\...\MMC.SchDoc	Drawn By:



Title		
Size	Number	Revision
A4		
Date:	06.10.2013	Sheet of
File:	D:\MyProjects\...\Power.SchDoc	Drawn By:



Title		
Size	Number	Revision
A4		
Date:	06.10.2013	Sheet of
File:	D:\MyProjects\...\SDRAM.SchDoc	Drawn By:



Title		
Size	Number	Revision
A3		
Date:	06.10.2013	Sheet of
File:	D:\MyProjects\...\VLSI.SchDoc	Drawn By: