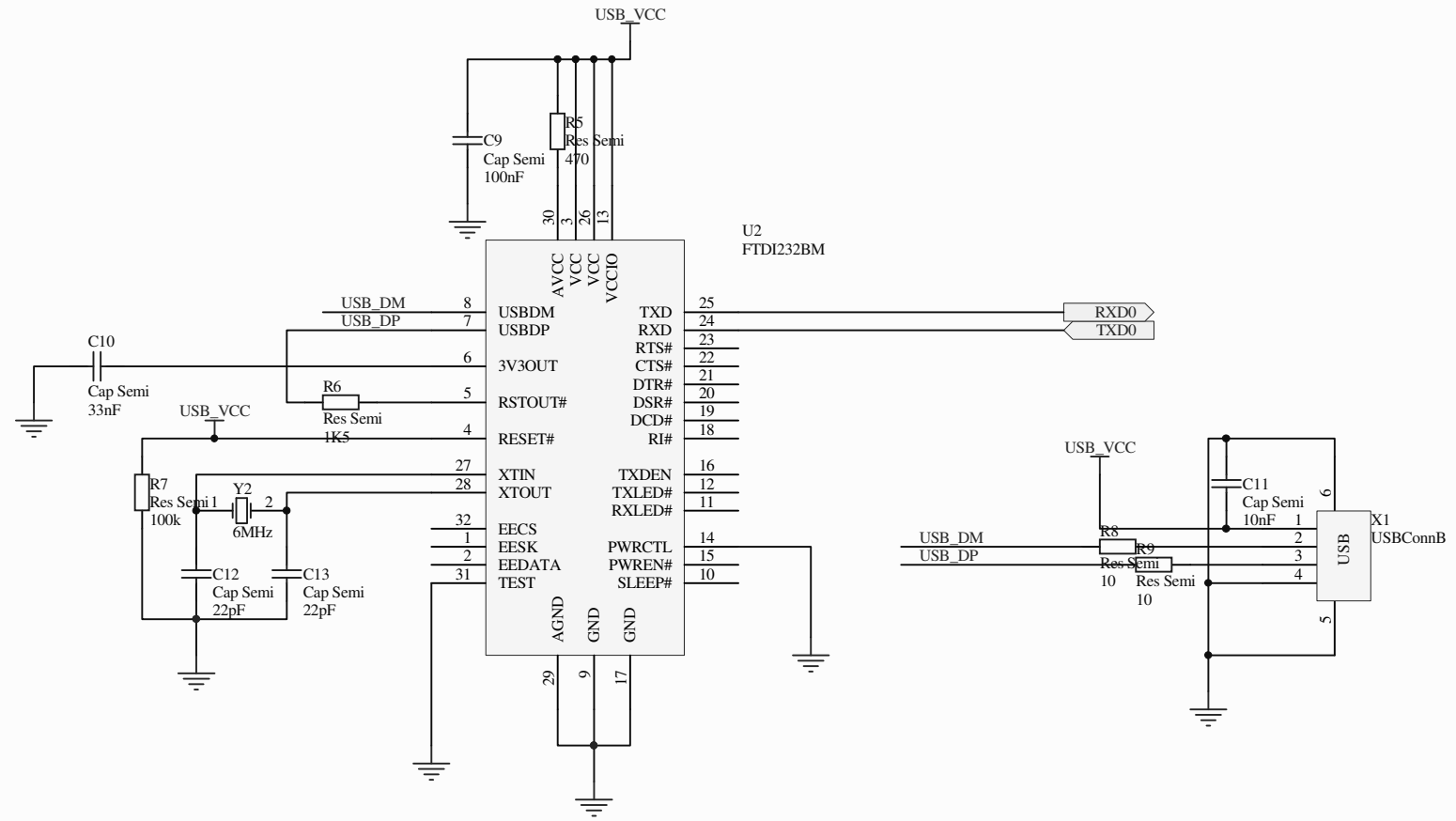
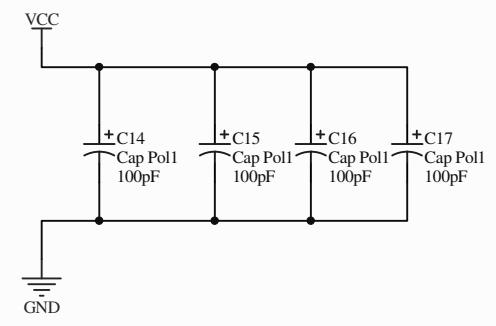
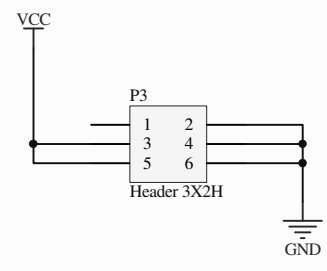


Title		
Size	Number	Revision
A4		
Date:	24.06.2014	Sheet of
File:	D:\Projects\...CPU.SchDoc	Drawn By:



Title		
Size	Number	Revision
A4		
Date:	24.06.2014	Sheet of
File:	D:\Projects\...\USB.SchDoc	Drawn By:



Title		
Size A4	Number	Revision
Date:	24.06.2014	Sheet of
File:	D:\PProjects\.\Power.SchDoc	Drawn By:

1

2

3

4

A

A

B

B

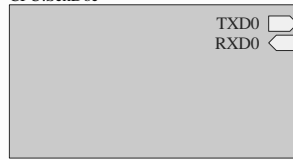
C

C

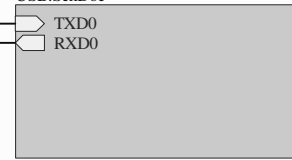
D

D

U\_CPU  
CPU.SchDoc



U\_USB  
USB.SchDoc



U\_Power  
Power.SchDoc



Title		
Size	Number	Revision
A4		
Date:	24.06.2014	Sheet of
File:	D:\Projects\.\MainSheet.SchDoc	Drawn By:

1

2

3

4